



## CB 3x150+1x70-1 TY Y 27.3-00214534-091:2017

Power cables with copper conductors, with impregnated paper insulation, lead-sheathed, steel-tape armoured

Cables are used for laying:

- in soil (trenches) with medium corrosiveness without vagabond currents
- in soil (trenches) with low corrosiveness, as well as with vagabond currents
- in mines, non-hazardous as for gas and dust
- with a risk of mechanical damage and no tensile forces in operation

### TECHNICAL SPECIFICATIONS

|  |                 |                  |
|--|-----------------|------------------|
| Rated voltage  | kV              | 1                |
| Number and rated area of conductors                                      | mm <sup>2</sup> | 3 x 150 + 1 x 70 |
| Insulation thickness between conductors                                  | mm              | 1.7              |
| Insulation thickness of conductor-sheath                                 | mm              | 1.45             |
| Sheath thickness   | mm              | 1.42             |
| Permissible continuous current rating *                                  |                 |                  |
| • by aerial laying   | A               | 400              |
| • by burial  | A               | 365              |
| Operating temperature range  | °C              | -50 ... +50      |
| Minimum bending radius by laying   | mm              | 780              |
| Level difference along the laying rout, not more than                    | m               | 20               |
| Metal sheath outer diameter (for reference only)                         | mm              | 40               |
| Rated outer diameter of the cable (for reference) **                     | mm              | 52               |
| Cable weight (approximate)   | kg/km           | 8390             |
| Rated factory cable length and gross weight of the delivery on the drums | m, t            | # 18: 430 • 4.1  |

Notes:

When ordering it is necessary to agree the factory length of the product with the manufacturer

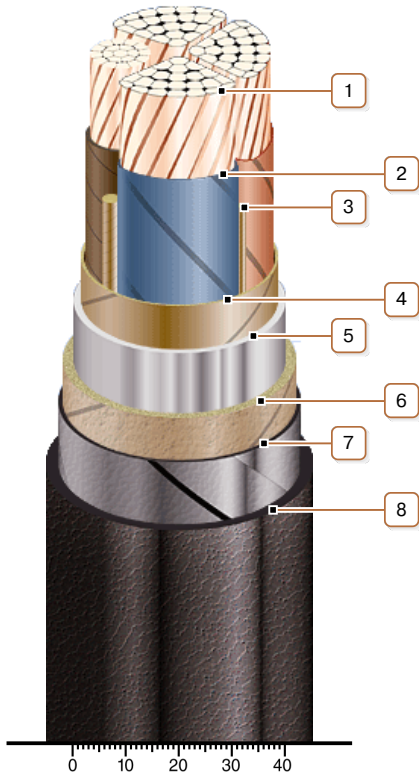
\* Long permissible current loads are calculated for the following conditions: air temperature plus 25 °C, soil temperature plus 15 °C, thermal resistivity of soil 1.2 °K·m/W, laying depth in the soil 0.7 m

\*\* The external diameter may differ from the rated up to ± 10 %



**СБ 3x150+1x70-1**  
**TY Y 27.3-00214534-091:2017**

Power cables with copper conductors, with impregnated paper insulation, lead-sheathed, steel-tape armoured



**CONSTRUCTION**

1. Copper multiwire compact conductor
2. Impregnated paper insulation
3. Cable paper bundle
4. Belt insulation
5. Lead sheath
6. Bedding
7. Double steel-tape armour
8. Outer covering

*Note: Conductor twisting is not illustrated*