



## CB 3x150+1x70-1 TY Y 27.3-00214534-091:2017

Power cables with copper conductors, with impregnated paper insulation, lead-sheathed, steel-tape armoured

Cables are used for laying:

- in soil (trenches) with medium corrosiveness without vagabond currents
- in soil (trenches) with low corrosiveness, as well as with vagabond currents
- in mines, non-hazardous as for gas and dust
- with a risk of mechanical damage and no tensile forces in operation

### TECHNICAL SPECIFICATIONS

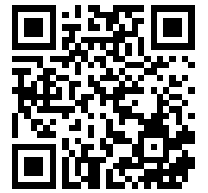
Rated voltage	kV	1
Number and rated area of conductors	mm <sup>2</sup>	3 x 150 + 1 x 70
Insulation thickness between conductors	mm	1.7
Insulation thickness of conductor-sheath	mm	1.45
Sheath thickness	mm	1.42
Permissible continuous current rating *		
• by aerial laying	A	400
• by burial	A	365
Operating temperature range	°C	-50 ... +50
Minimum bending radius by laying	mm	780
Level difference along the laying rout, not more than	m	20
Metal sheath outer diameter (for reference only)	mm	40
Rated outer diameter of the cable (for reference) **	mm	52
Cable weight (approximate)	kg/km	8390
Rated factory cable length and gross weight of the delivery on the drums ***	m, t	# 18: 430 • 4.1

Notes:

When ordering it is necessary to agree the factory length of the product with the manufacturer

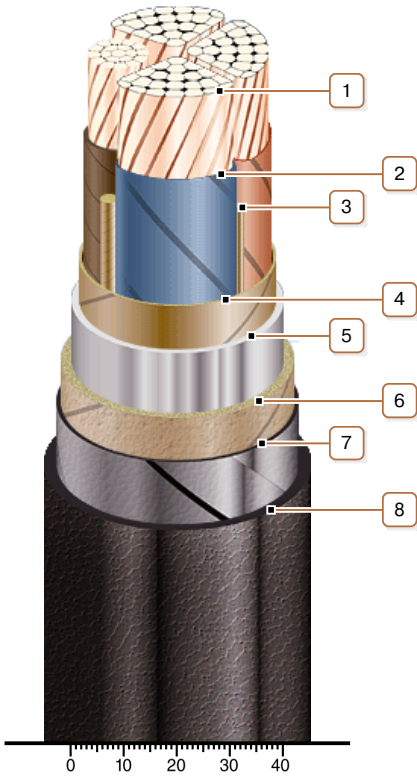
\* Long permissible current loads are calculated for the following conditions: air temperature plus 25 °C, soil temperature plus 15 °C, thermal resistivity of soil 1.2 °K·m/W, laying depth in the soil 0.7 m

\*\* The external diameter may differ from the rated up to ± 10 %



**СБ 3x150+1x70-1**  
**TY Y 27.3-00214534-091:2017**

Power cables with copper conductors, with impregnated paper insulation, lead-sheathed, steel-tape armoured



**CONSTRUCTION**

1. Copper multiwire compact conductor
2. Impregnated paper insulation
3. Cable paper bundle
4. Belt insulation
5. Lead sheath
6. Bedding
7. Double steel-tape armour
8. Outer covering

Note: Conductor twisting is not illustrated