

СБ 3x95-1 TY Y 27.3-00214534-091:2017

Power cables with copper conductors, with impregnated paper insulation, lead-sheathed, steel-tape armoured

Cables are used for laying:

- in soil (trenches) with medium corrosiveness without vagabond currents
- in soil (trenches) with low corrosiveness, as well as with vagabond currents
- in mines, non-hazardous as for gas and dust
- with a risk of mechanical damage and no tensile forces in operation

TECHNICAL SPECIFICATIONS

| | | |
|--|-----------------|-------------------------------------|
| Rated voltage | kV | 1 |
| Number and rated area of conductors | mm ² | 3 x 95 |
| Insulation thickness between conductors | mm | 1.5 |
| Insulation thickness of conductor-sheath | mm | 1.25 |
| Sheath thickness | mm | 1.32 |
| Permissible continuous current rating * | | |
| • by aerial laying | A | 301 |
| • by burial | A | 287 |
| Operating temperature range | °C | -50 ... +50 |
| Minimum bending radius by laying | mm | 600 |
| Level difference along the laying rout, not more than | m | 20 |
| Metal sheath outer diameter (for reference only) | mm | 28 |
| Rated outer diameter of the cable (for reference) ** | mm | 40 |
| Cable weight (approximate) | kg/km | 5070 |
| Rated factory cable length and gross weight of the delivery on the drums | m, t | # 16a: 630 • 3.5 # 18: 720 • 4.1 |

Notes:

When ordering it is necessary to agree the factory length of the product with the manufacturer

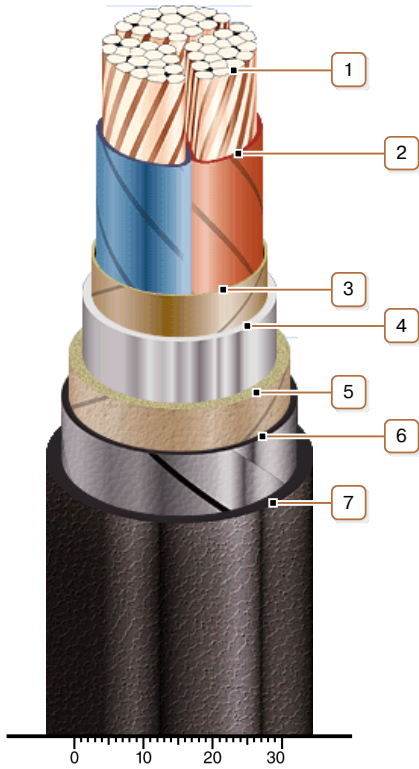
* Long permissible current loads are calculated for the following conditions: air temperature plus 25 °C, soil temperature plus 15 °C, thermal resistivity of soil 1.2 °K·m/W, laying depth in the soil 0.7 m

** The external diameter may differ from the rated up to ± 10 %



СБ 3x95-1
ТУ У 27.3-00214534-091:2017

Power cables with copper conductors, with impregnated paper insulation, lead-sheathed, steel-tape armoured



CONSTRUCTION

1. *Copper multiwire compact conductor*
2. *Impregnated paper insulation*
3. *Belt insulation*
4. *Lead sheath*
5. *Bedding*
6. *Double steel-tape armour*
7. *Outer covering*

Note: Conductor twisting is not illustrated