



## СБ2лШв 3x70-6 ТУ У 27.3-00214534-091:2017

Power cables with copper conductors, with impregnated paper insulation, lead-sheathed, steel-tape armoured, with PVC-compound protection hose

Cables are used for laying:

- in soil (trenches) with high corrosiveness, as well as with vagabond currents
- in dry premises (tunnels), ducts, cable cellars, mines, collectors, industrial and other premises, including damp, partially flooded premises, environment with medium and high corrosiveness
- with a risk of mechanical damage and no tensile forces in operation

Fire safety code in accordance with ДСТУ 4809:2007: ПБ100000000

Products of this mark meet the requirements:

- single wire cable flame retardance

### TECHNICAL SPECIFICATIONS

|  |                 |                                     |
|--|-----------------|-------------------------------------|
| Rated voltage  | kV              | 6                                   |
| Number and rated area of conductors  | mm <sup>2</sup> | 3 x 70                              |
| Insulation thickness between conductors                                      | mm              | 4                                   |
| Insulation thickness of conductor-sheath                                     | mm              | 2.95                                |
| Sheath thickness   | mm              | 1.36                                |
| Permissible continuous current rating *                                      |                 |                                     |
| • by aerial laying   | A               | 244                                 |
| • by burial  | A               | 236                                 |
| Operating temperature range  | °C              | -50 ... +50                         |
| Minimum bending radius by laying   | mm              | 660                                 |
| Level difference along the laying rout, not more than                        | m               | 15                                  |
| Metal sheath outer diameter (for reference only)                             | mm              | 32                                  |
| Rated outer diameter of the cable (for reference) **                         | mm              | 44                                  |
| Cable weight (approximate)   | kg/km           | 5250                                |
| Rated factory cable length and gross weight of the delivery on the drums *** | m, t            | # 16a: 520 • 3.0<br># 18: 600 • 3.6 |

Notes:

When ordering it is necessary to agree the factory length of the product with the manufacturer

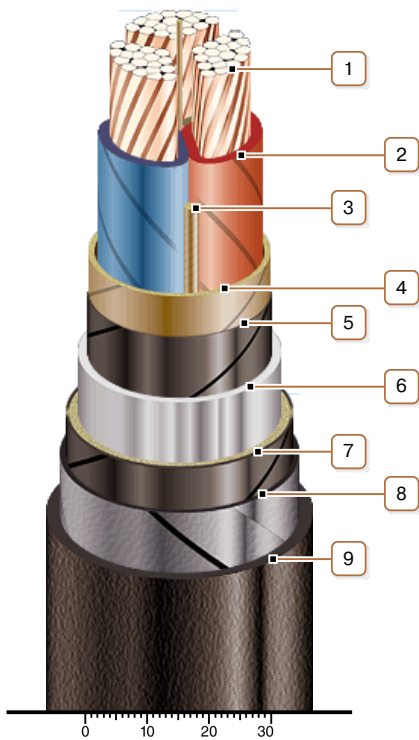
\* Long permissible current loads are calculated for the following conditions: air temperature plus 25 °C, soil temperature plus 15 °C, thermal resistivity of soil 1.2 °K·m/W, laying depth in the soil 0.7 m

\*\* The external diameter may differ from the rated up to ± 10 %



## СБ2лШв 3x70-6 ТУ У 27.3-00214534-091:2017

Power cables with copper conductors, with impregnated paper insulation, lead-sheathed, steel-tape armoured, with PVC-compound protection hose



### CONSTRUCTION

1. Copper multiwire compact conductor
2. Impregnated paper insulation
3. Cable paper bundle
4. Belt insulation
5. Conducting paper screen
6. Lead sheath
7. Double-layer plastic-tape bedding
8. Double steel-tape armour
9. Pressed PVC compound protection hose

Note: Conductor twisting is not illustrated