



ЦБлШв 3x50(ож)-10 ТУ У 27.3-00214534-091:2017

Power cables with copper conductors, with non-draining impregnated paper insulation, lead-sheathed, steel-tape armoured, with PVC-compound protection hose

Cables are used for laying:

- *without level difference limitation*
- *in soil (trenches) with high corrosiveness without vagabond currents*
- *in soil (trenches) with medium corrosiveness, as well as with vagabond currents*
- *in fire-risk premises*
- *on technological trestles*
- *on special cable bridges*
- *in mines, non-hazardous as for gas and dust*
- *with a risk of mechanical damage and no tensile forces in operation*

Fire safety code in accordance with ДСТУ 4809:2007: ПБ100000000

Products of this mark meet the requirements:

- *single wire cable flame retardance*

TECHNICAL SPECIFICATIONS

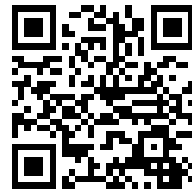
Rated voltage	kV	10
Number and rated area of conductors	mm ²	3 x 50
Insulation thickness between conductors	mm	5.5
Insulation thickness of conductor-sheath	mm	4
Sheath thickness	mm	1.36
Permissible continuous current rating *		
• <i>by aerial laying</i>	A	175
• <i>by burial</i>	A	176
Operating temperature range	°C	-50 ... +50
Minimum bending radius by laying	mm	630
Metal sheath outer diameter (for reference only)	mm	30
Rated outer diameter of the cable (for reference) **	mm	42
Cable weight (approximate)	kg/km	4490
Rated factory cable length and gross weight of the delivery on the drums ***	m, t	# 16a: 570 • 2.8 # 18: 660 • 3.4

Notes:

When ordering it is necessary to agree the factory length of the product with the manufacturer

* Long permissible current loads are calculated for the following conditions: air temperature plus 25 °C, soil temperature plus 15 °C, thermal resistivity of soil 1.2 °K·m/W, laying depth in the soil 0.7 m

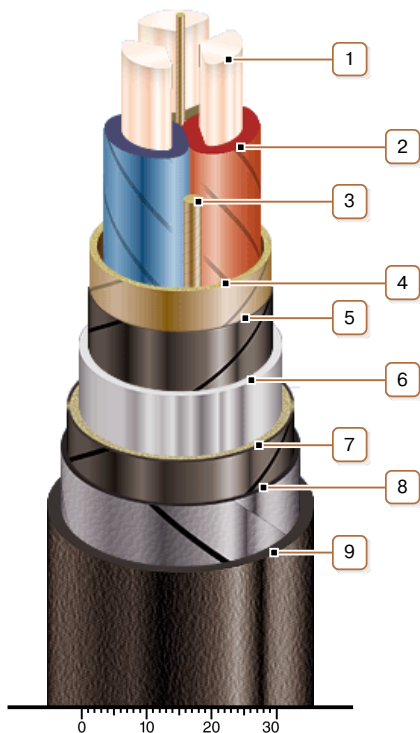
** The external diameter may differ from the rated up to ± 10 %



ЦБлШв 3x50(ож)-10 ТУ У 27.3-00214534-091:2017

Power cables with copper conductors, with non-draining impregnated paper insulation, lead-sheathed, steel-tape armoured, with PVC-compound protection hose

CONSTRUCTION



1. Copper conductor
2. Impregnated paper insulation
3. Cable paper bundle
4. Belt insulation
5. Conducting paper screen
6. Lead sheath
7. Single-layer plastic-tape bedding
8. Double steel-tape armour
9. Pressed PVC compound protection hose

Note: Conductor twisting is not illustrated