



## АСП2л 3x240-1 ТУ У 27.3-00214534-091:2017

Power cables with aluminium conductors, with impregnated paper insulation, lead-sheathed, steel-wire armoured

Cables are used for laying:

- in soil (trenches) with high corrosiveness, as well as with vagabond currents
- with a risk of mechanical damage and tensile forces in operation

### TECHNICAL SPECIFICATIONS

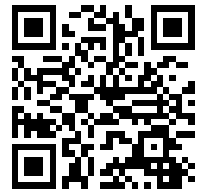
Rated voltage	kV	1
Number and rated area of conductors	mm <sup>2</sup>	3 x 240
Insulation thickness between conductors	mm	1.9
Insulation thickness of conductor-sheath	mm	1.55
Sheath thickness	mm	1.66
Permissible continuous current rating *		
• by aerial laying	A	402
• by burial	A	359
Operating temperature range	°C	-50 ... +50
Minimum bending radius by laying	mm	945
Level difference along the laying rout, not more than	m	25
Metal sheath outer diameter (for reference only)	mm	43
Rated outer diameter of the cable (for reference) **	mm	63
Cable weight (approximate)	kg/km	8060
Rated factory cable length and gross weight of the delivery on the drums	m, t	# 18: 270 • 2.6 # 20: 440 • 4.2 # 22: 500 • 4.8

Notes:

When ordering it is necessary to agree the factory length of the product with the manufacturer

\* Long permissible current loads are calculated for the following conditions: air temperature plus 25 °C, soil temperature plus 15 °C, thermal resistivity of soil 1.2 °K·m/W, laying depth in the soil 0.7 m

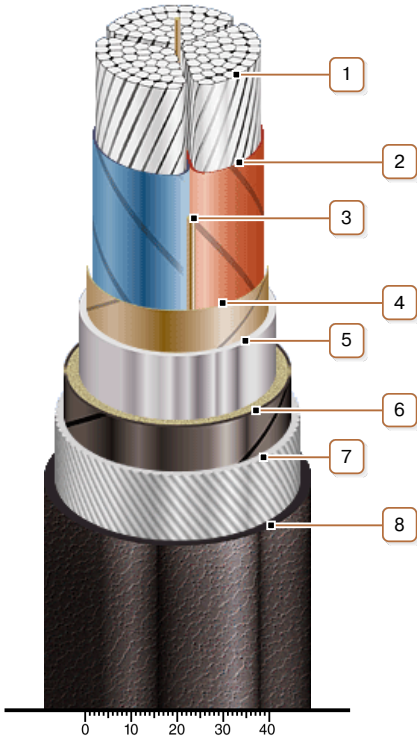
\*\* The external diameter may differ from the rated up to ± 10 %



**АСП2л 3x240-1**  
**ТУ У 27.3-00214534-091:2017**

Power cables with aluminium conductors, with impregnated paper insulation, lead-sheathed, steel-wire armoured

**CONSTRUCTION**



1. Aluminium multiwire compacted conductor
2. Impregnated paper insulation
3. Cable paper bundle
4. Belt insulation
5. Lead sheath
6. Double-layer plastic-tape bedding
7. Round galvanized steel-wire armour
8. Outer covering

Note: Conductor twisting is not illustrated