

## ЦАСПл 3x185-10 ТУ У 27.3-00214534-091:2017

Power cables with aluminium conductors, with non-draining impregnated paper insulation, lead-sheathed, steel-wire armoured

Cables are used for laying:

- *without level difference limitation*
- *in soil (trenches) with medium corrosiveness, as well as with vagabond currents*
- *with a risk of mechanical damage and tensile forces in operation*

### TECHNICAL SPECIFICATIONS

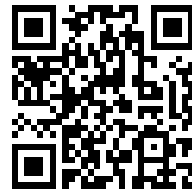
Rated voltage	kV	10
Number and rated area of conductors	mm <sup>2</sup>	3 x 185
Insulation thickness between conductors	mm	5.5
Insulation thickness of conductor-sheath	mm	4
Sheath thickness	mm	1.66
Permissible continuous current rating *		
• <i>by aerial laying</i>	A	298
• <i>by burial</i>	A	275
Operating temperature range	°C	-50 ... +50
Minimum bending radius by laying	mm	960
Metal sheath outer diameter (for reference only)	mm	49
Rated outer diameter of the cable (for reference) **	mm	64
Cable weight (approximate)	kg/km	8890
Rated factory cable length and gross weight of the delivery on the drums ***	m, t	# 18: 270 • 2.9 # 20: 440 • 4.6

Notes:

*When ordering it is necessary to agree the factory length of the product with the manufacturer*

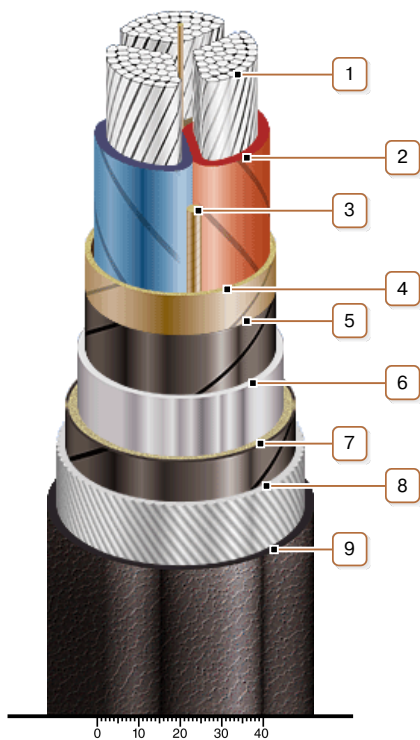
*\* Long permissible current loads are calculated for the following conditions: air temperature plus 25 °C, soil temperature plus 15 °C, thermal resistivity of soil 1.2 °K·m/W, laying depth in the soil 0.7 m*

*\*\* The external diameter may differ from the rated up to ± 10 %*



## ЦАСПл 3x185-10 ТУ У 27.3-00214534-091:2017

Power cables with aluminium conductors, with non-draining impregnated paper insulation, lead-sheathed, steel-wire armoured



### CONSTRUCTION

1. Aluminium multiwire compacted conductor
2. Impregnated paper insulation
3. Cable paper bundle
4. Belt insulation
5. Conducting paper screen
6. Lead sheath
7. Single-layer plastic-tape bedding
8. Round galvanized steel-wire armour
9. Outer covering

Note: Conductor twisting is not illustrated