

## ЦАСБлШв 3x35(ож)-6 ТУ У 27.3-00214534-091:2017

Power cables with aluminium conductors, with non-draining impregnated paper insulation, lead-sheathed, steel-tape armoured, with PVC-compound protection hose

Cables are used for laying:

- *without level difference limitation*
- *in soil (trenches) with high corrosiveness without vagabond currents*
- *in soil (trenches) with medium corrosiveness, as well as with vagabond currents*
- *in fire-risk premises*
- *on technological trestles*
- *on special cable bridges*
- *in mines, non-hazardous as for gas and dust*
- *with a risk of mechanical damage and no tensile forces in operation*

Fire safety code in accordance with ДСТУ 4809:2007: ПБ100000000

Products of this mark meet the requirements:

- *single wire cable flame retardance*

### TECHNICAL SPECIFICATIONS

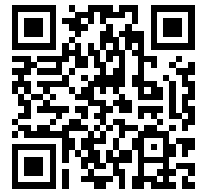
Rated voltage	kV	6
Number and rated area of conductors	mm <sup>2</sup>	3 x 35
Insulation thickness between conductors	mm	4
Insulation thickness of conductor-sheath	mm	2.95
Sheath thickness	mm	1.21
Permissible continuous current rating *		
• <i>by aerial laying</i>	A	117
• <i>by burial</i>	A	121
Operating temperature range	°C	-50 ... +50
Minimum bending radius by laying	mm	555
Metal sheath outer diameter (for reference only)	mm	24
Rated outer diameter of the cable (for reference) **	mm	37
Cable weight (approximate)	kg/km	2730
Rated factory cable length and gross weight of the delivery on the drums	m, t	# 16a: 700 · 2.2

Notes:

*When ordering it is necessary to agree the factory length of the product with the manufacturer*

*\* Long permissible current loads are calculated for the following conditions: air temperature plus 25 °C, soil temperature plus 15 °C, thermal resistivity of soil 1.2 °K·m/W, laying depth in the soil 0.7 m*

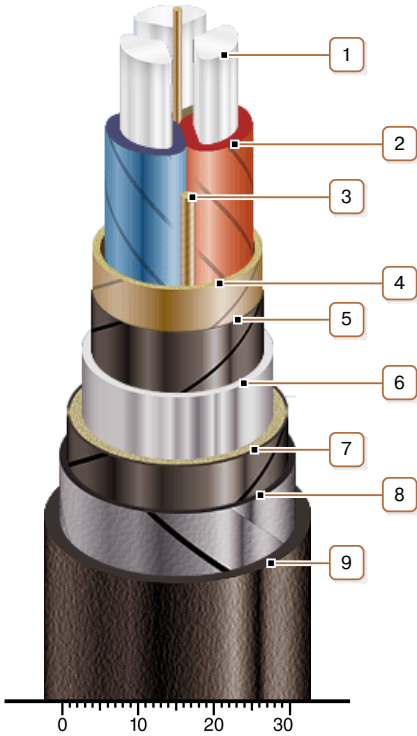
*\*\* The external diameter may differ from the rated up to ± 10 %*



## ЦАБЛШВ 3x35(ож)-6 ТУ У 27.3-00214534-091:2017

Power cables with aluminium conductors, with non-draining impregnated paper insulation, lead-sheathed, steel-tape armoured, with PVC-compound protection hose

### CONSTRUCTION



1. Aluminium conductor
2. Impregnated paper insulation
3. Cable paper bundle
4. Belt insulation
5. Conducting paper screen
6. Lead sheath
7. Single-layer plastic-tape bedding
8. Double steel-tape armour
9. Pressed PVC compound protection hose

Note: Conductor twisting is not illustrated