



АСБ2лГ 3x240(ож)-6 ТУ У 27.3-00214534-091:2017

Power cables with aluminium conductors, with impregnated paper insulation, lead-sheathed, steel-tape armoured

Cables are used for laying:

- in dry premises (tunnels), ducts, cable cellars, mines, collectors, industrial and other premises, including damp, partially flooded premises, environment with medium and high corrosiveness
- in fire-risk premises
- on technological trestles
- on special cable bridges
- with a risk of mechanical damage and no tensile forces in operation

Fire safety code in accordance with ДСТУ 4809:2007: ПБ100000000

Products of this mark meet the requirements:

- single wire cable flame retardance

TECHNICAL SPECIFICATIONS

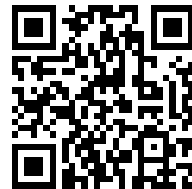
| | | |
|--|-----------------|-----------------|
| Rated voltage | kV | 6 |
| Number and rated area of conductors | mm ² | 3 x 240 |
| Insulation thickness between conductors | mm | 4 |
| Insulation thickness of conductor-sheath | mm | 2.95 |
| Sheath thickness | mm | 1.62 |
| Permissible continuous current rating * | | |
| • by aerial laying | A | 389 |
| • by burial | A | 351 |
| Operating temperature range | °C | -50 ... +50 |
| Minimum bending radius by laying | mm | 765 |
| Level difference along the laying route, not more than | m | 15 |
| Metal sheath outer diameter (for reference only) | mm | 44 |
| Rated outer diameter of the cable (for reference) ** | mm | 51 |
| Cable weight (approximate) | kg/km | 6620 |
| Rated factory cable length and gross weight of the delivery on the drums *** | m, t | # 18: 430 • 3.3 |

Notes:

When ordering it is necessary to agree the factory length of the product with the manufacturer

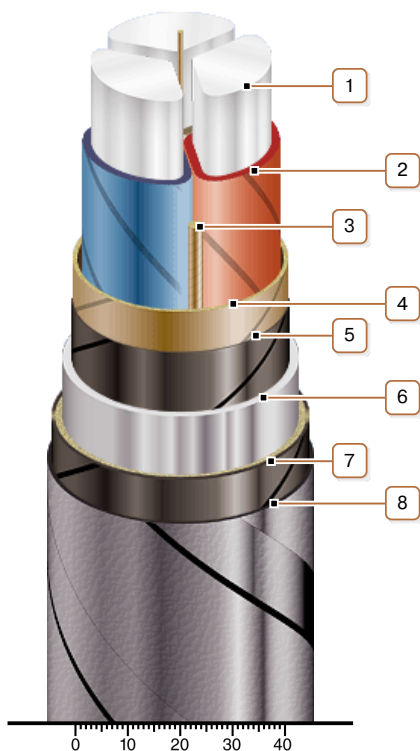
* Long permissible current loads are calculated for the following conditions: air temperature plus 25 °C, soil temperature plus 15 °C, thermal resistivity of soil 1.2 °K·m/W, laying depth in the soil 0.7 m

** The external diameter may differ from the rated up to ± 10 %



АСБ2лГ 3х240(ож)-6 ТУ У 27.3-00214534-091:2017

Power cables with aluminium conductors, with impregnated paper insulation, lead-sheathed, steel-tape armoured



CONSTRUCTION

1. Aluminium conductor
2. Impregnated paper insulation
3. Cable paper bundle
4. Belt insulation
5. Conducting paper screen
6. Lead sheath
7. Double-layer plastic-tape bedding
8. Double galvanized steel-tape armour

Note: Conductor twisting is not illustrated