



## АСБлГ 1х630-1 ТУ У 27.3-00214534-091:2017

Power cables with aluminium conductors, with impregnated paper insulation, lead-sheathed, steel-tape armoured

Cables are used for laying:

- in dry premises (tunnels), ducts, cable cellars, mines, collectors, industrial and other premises, including damp, partially flooded premises, environment with medium and high corrosiveness
- in fire-risk premises
- on technological trestles
- on special cable bridges
- with a risk of mechanical damage and no tensile forces in operation

Fire safety code in accordance with ДСТУ 4809:2007: ПБ100000000

Products of this mark meet the requirements:

- single wire cable flame retardance

### TECHNICAL SPECIFICATIONS

|   |                 |             |
|---|-----------------|-------------|
| Rated voltage   | kV              | 1           |
| Number and rated area of conductors                   | mm <sup>2</sup> | 1 x 630     |
| Insulation thickness of conductor-sheath              | mm              | 2.2         |
| Sheath thickness                                      | mm              | 1.46        |
| Permissible continuous direct current rating *        |                 |             |
| • by aerial laying                                    | A               | 1122        |
| • by burial   | A               | 856         |
| Operating temperature range                           | °C              | -50 ... +50 |
| Minimum bending radius by laying                      | mm              | 1075        |
| Level difference along the laying rout, not more than | m               | 25          |
| Metal sheath outer diameter (for reference only)      | mm              | 37          |
| Rated outer diameter of the cable (for reference) **  | mm              | 43          |
| Cable weight (approximate)                            | kg/km           | 5110        |

Notes:

When ordering it is necessary to agree the factory length of the product with the manufacturer

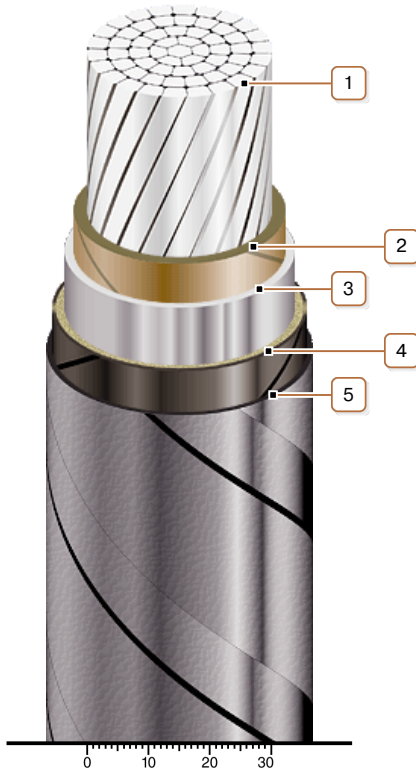
\* Long permissible current loads are calculated for the following conditions: air temperature plus 25 °C, soil temperature plus 15 °C, thermal resistivity of soil 1.2 °K·m/W, laying depth in the soil 0.7 m

\*\* The external diameter may differ from the rated up to ± 10 %



## АСБлГ 1х630-1 ТУ У 27.3-00214534-091:2017

Power cables with aluminium conductors, with impregnated paper insulation, lead-sheathed, steel-tape armoured



### CONSTRUCTION

1. Aluminium multiwire compacted conductor
2. Impregnated paper insulation
3. Lead sheath
4. Single-layer plastic-tape bedding
5. Double galvanized steel-tape armour