



АСБ2л 1x500-3 TY 16.K71-269-97

Power cables with aluminium conductors, with impregnated paper insulation, lead-sheathed, steel-tape armoured

Cables are used for laying:

- in soil (trenches) with high corrosiveness, as well as with vagabond currents
- with a risk of mechanical damage and no tensile forces in operation

TECHNICAL SPECIFICATIONS

| | | |
|--|-----------------|-----------------|
| Rated voltage | kV | 3 |
| Number and rated area of conductors | mm ² | 1 x 500 |
| Insulation thickness of conductor-sheath | mm | 2.4 |
| Sheath thickness | mm | 1.42 |
| Permissible continuous direct current rating * | | |
| • by aerial laying | A | 966 |
| • by burial | A | 752 |
| Operating temperature range | °C | -50 ... +50 |
| Minimum bending radius by laying | mm | 1125 |
| Level difference along the laying rout, not more than | m | 25 |
| Metal sheath outer diameter (for reference only) | mm | 35 |
| Rated outer diameter of the cable (for reference) ** | mm | 45 |
| Cable weight (approximate) | kg/km | 4930 |
| Rated factory cable length and gross weight of the delivery on the drums *** | m, t | # 18: 550 • 3.2 |

Notes:

When ordering it is necessary to agree the factory length of the product with the manufacturer

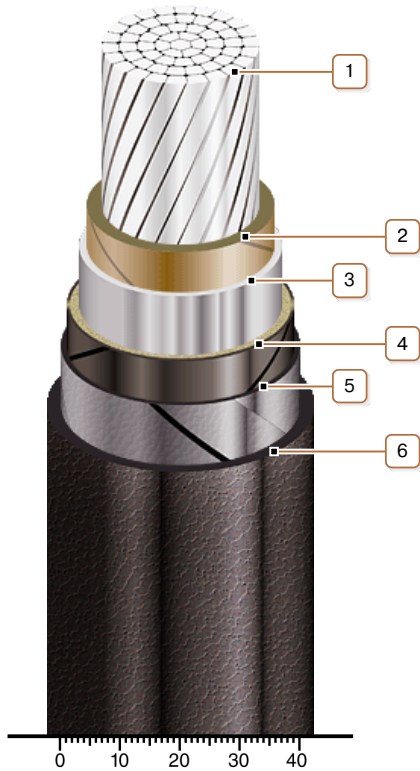
* Long permissible current loads are calculated for the following conditions: air temperature plus 25 °C, soil temperature plus 15 °C, thermal resistivity of soil 1.2 °K·m/W, laying depth in the soil 0.7 m

** The external diameter may differ from the rated up to ± 10 %



АСБ2л 1х500-3
ТУ 16.К71-269-97

Power cables with aluminium conductors, with impregnated paper insulation, lead-sheathed, steel-tape armoured



CONSTRUCTION

1. *Aluminium multiwire compacted conductor*
2. *Impregnated paper insulation*
3. *Lead sheath*
4. *Double-layer plastic-tape bedding*
5. *Double steel-tape armour*
6. *Outer covering*