



АСБ2л 1x120-3 TY 16.K71-269-97

Power cables with aluminium conductors, with impregnated paper insulation, lead-sheathed, steel-tape armoured

Cables are used for laying:

- in soil (trenches) with high corrosiveness, as well as with vagabond currents
- with a risk of mechanical damage and no tensile forces in operation

TECHNICAL SPECIFICATIONS

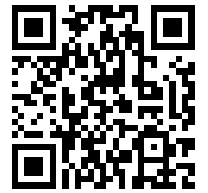
Rated voltage	kV	3
Number and rated area of conductors	mm ²	1 x 120
Insulation thickness of conductor-sheath	mm	2
Sheath thickness	mm	1.11
Permissible continuous direct current rating *		
• by aerial laying	A	387
• by burial	A	333
Operating temperature range	°C	-50 ... +50
Minimum bending radius by laying	mm	750
Level difference along the laying rout, not more than	m	25
Metal sheath outer diameter (for reference only)	mm	19
Rated outer diameter of the cable (for reference) **	mm	30
Cable weight (approximate)	kg/km	2130
Rated factory cable length and gross weight of the delivery on the drums ***	m, t	# 16: 420 • 1.2

Notes:

When ordering it is necessary to agree the factory length of the product with the manufacturer

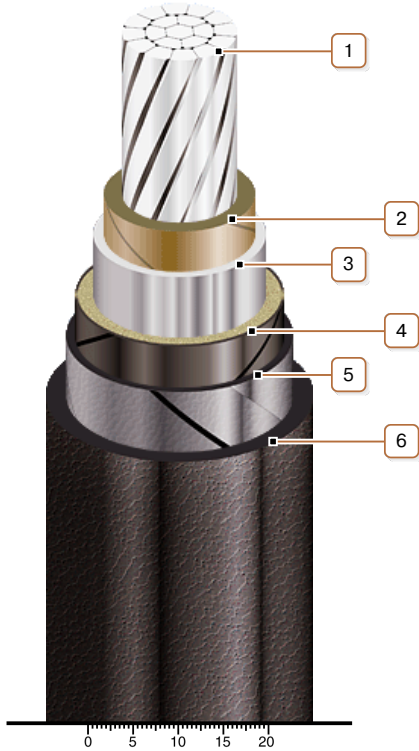
* Long permissible current loads are calculated for the following conditions: air temperature plus 25 °C, soil temperature plus 15 °C, thermal resistivity of soil 1.2 °K·m/W, laying depth in the soil 0.7 m

** The external diameter may differ from the rated up to ± 10 %



АСБ2л 1х120-3
ТУ 16.К71-269-97

Power cables with aluminium conductors, with impregnated paper insulation, lead-sheathed, steel-tape armoured



CONSTRUCTION

-
1. Aluminium multiwire compacted conductor
 2. Impregnated paper insulation
 3. Lead sheath
 4. Double-layer plastic-tape bedding
 5. Double steel-tape armour
 6. Outer covering
-