



## АСБ2л 3x150+1x70-1 ТУ У 27.3-00214534-091:2017

Power cables with aluminium conductors, with impregnated paper insulation, lead-sheathed, steel-tape armoured

Cables are used for laying:

- in soil (trenches) with high corrosiveness, as well as with vagabond currents
- with a risk of mechanical damage and no tensile forces in operation

### TECHNICAL SPECIFICATIONS

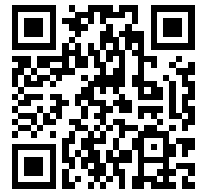
|  |                 |                                    |
|--|-----------------|------------------------------------|
| Rated voltage  | kV              | 1                                  |
| Number and rated area of conductors                                      | mm <sup>2</sup> | 3 x 150 + 1 x 70                   |
| Insulation thickness between conductors                                  | mm              | 1.7                                |
| Insulation thickness of conductor-sheath                                 | mm              | 1.45                               |
| Sheath thickness   | mm              | 1.52                               |
| Permissible continuous current rating *                                  |                 |                                    |
| • by aerial laying   | A               | 300                                |
| • by burial  | A               | 281                                |
| Operating temperature range  | °C              | -50 ... +50                        |
| Minimum bending radius by laying   | mm              | 765                                |
| Level difference along the laying rout, not more than                    | m               | 25                                 |
| Metal sheath outer diameter (for reference only)                         | mm              | 40                                 |
| Rated outer diameter of the cable (for reference) **                     | mm              | 51                                 |
| Cable weight (approximate)   | kg/km           | 5500                               |
| Rated factory cable length and gross weight of the delivery on the drums | m, t            | # 18: 430 • 2.8<br># 20: 680 • 4.4 |

Notes:

When ordering it is necessary to agree the factory length of the product with the manufacturer

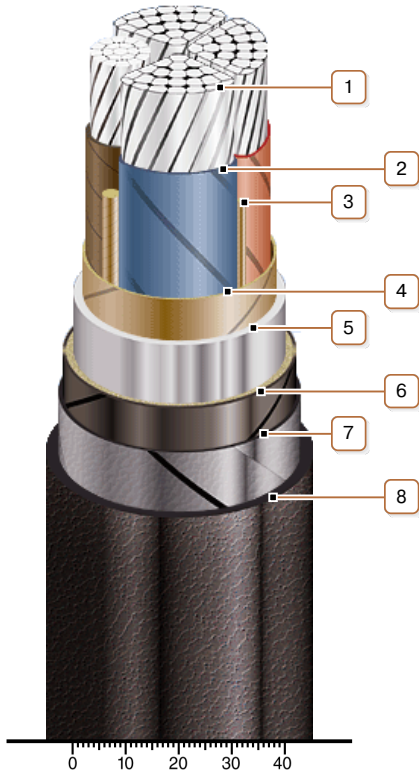
\* Long permissible current loads are calculated for the following conditions: air temperature plus 25 °C, soil temperature plus 15 °C, thermal resistivity of soil 1.2 °K·m/W, laying depth in the soil 0.7 m

\*\* The external diameter may differ from the rated up to ± 10 %



**АСБ2л 3x150+1x70-1**  
**ТУ У 27.3-00214534-091:2017**

Power cables with aluminium conductors, with impregnated paper insulation, lead-sheathed, steel-tape armoured



**CONSTRUCTION**

1. Aluminium multiwire compacted conductor
2. Impregnated paper insulation
3. Cable paper bundle
4. Belt insulation
5. Lead sheath
6. Double-layer plastic-tape bedding
7. Double steel-tape armour
8. Outer covering

Note: Conductor twisting is not illustrated