

## АСБл 3х50(ож)-6 ТУ У 27.3-00214534-091:2017

Power cables with aluminium conductors, with impregnated paper insulation, lead-sheathed, steel-tape armoured

Cables are used for laying:

- in soil (trenches) with high corrosiveness without vagabond currents
- in soil (trenches) with medium corrosiveness, as well as with vagabond currents
- in mines, non-hazardous as for gas and dust
- with a risk of mechanical damage and no tensile forces in operation

### TECHNICAL SPECIFICATIONS

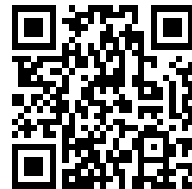
|  |                 |                  |
|--|-----------------|------------------|
| Rated voltage  | kV              | 6                |
| Number and rated area of conductors                                      | mm <sup>2</sup> | 3 x 50           |
| Insulation thickness between conductors                                  | mm              | 4                |
| Insulation thickness of conductor-sheath                                 | mm              | 2.95             |
| Sheath thickness   | mm              | 1.26             |
| Permissible continuous current rating *                                  |                 |                  |
| • by aerial laying   | A               | 146              |
| • by burial  | A               | 149              |
| Operating temperature range  | °C              | -50 ... +50      |
| Minimum bending radius by laying   | mm              | 570              |
| Level difference along the laying rout, not more than                    | m               | 15               |
| Metal sheath outer diameter (for reference only)                         | mm              | 26               |
| Rated outer diameter of the cable (for reference) **                     | mm              | 38               |
| Cable weight (approximate)   | kg/km           | 2910             |
| Rated factory cable length and gross weight of the delivery on the drums | m, t            | # 16a: 700 • 2.3 |

Notes:

When ordering it is necessary to agree the factory length of the product with the manufacturer

\* Long permissible current loads are calculated for the following conditions: air temperature plus 25 °C, soil temperature plus 15 °C, thermal resistivity of soil 1.2 °K·m/W, laying depth in the soil 0.7 m

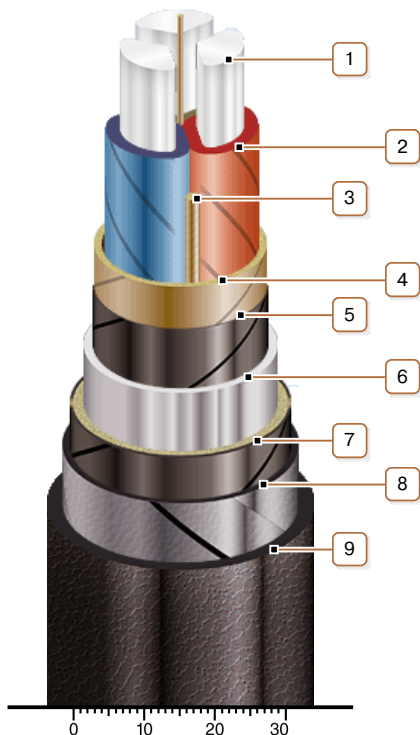
\*\* The external diameter may differ from the rated up to ± 10 %



## АСБл 3х50(ож)-6 ТУ У 27.3-00214534-091:2017

Power cables with aluminium conductors, with impregnated paper insulation, lead-sheathed, steel-tape armoured

### CONSTRUCTION



1. Aluminium conductor
2. Impregnated paper insulation
3. Cable paper bundle
4. Belt insulation
5. Conducting paper screen
6. Lead sheath
7. Single-layer plastic-tape bedding
8. Double steel-tape armour
9. Outer covering

Note: Conductor twisting is not illustrated