



АСБл 4x185-1 ТУ У 27.3-00214534-091:2017

Power cables with aluminium conductors, with impregnated paper insulation, lead-sheathed, steel-tape armoured

Cables are used for laying:

- in soil (trenches) with high corrosiveness without vagabond currents
- in soil (trenches) with medium corrosiveness, as well as with vagabond currents
- in mines, non-hazardous as for gas and dust
- with a risk of mechanical damage and no tensile forces in operation

TECHNICAL SPECIFICATIONS

| | | |
|--|-----------------|------------------------------------|
| Rated voltage | kV | 1 |
| Number and rated area of conductors | mm ² | 4 x 185 |
| Insulation thickness between conductors | mm | 1.9 |
| Insulation thickness of conductor-sheath | mm | 1.55 |
| Sheath thickness | mm | 1.62 |
| Permissible continuous current rating * | | |
| • by aerial laying | A | 318 |
| • by burial | A | 292 |
| Operating temperature range | °C | -50 ... +50 |
| Minimum bending radius by laying | mm | 855 |
| Level difference along the laying rout, not more than | m | 25 |
| Metal sheath outer diameter (for reference only) | mm | 45 |
| Rated outer diameter of the cable (for reference) ** | mm | 57 |
| Cable weight (approximate) | kg/km | 6780 |
| Rated factory cable length and gross weight of the delivery on the drums | m, t | # 18: 340 • 2.8 # 20: 550 • 4.4 |

Notes:

When ordering it is necessary to agree the factory length of the product with the manufacturer

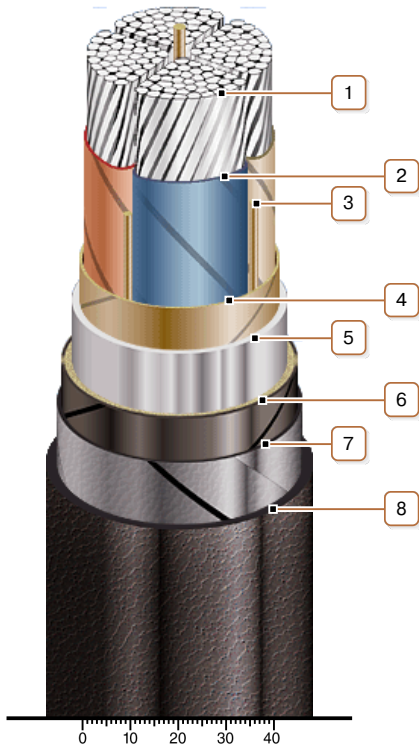
* Long permissible current loads are calculated during operation in four-wire networks with load in all the conductors for the following conditions: air temperature plus 25 °C, soil temperature plus 15 °C, thermal resistivity of soil 1.2 °K·m/W, laying depth in the soil 0.7 m

** The external diameter may differ from the rated up to ± 10 %



АСБл 4x185-1 ТУ У 27.3-00214534-091:2017

Power cables with aluminium conductors, with impregnated paper insulation, lead-sheathed, steel-tape armoured



CONSTRUCTION

1. Aluminium multiwire compacted conductor
2. Impregnated paper insulation
3. Cable paper bundle
4. Belt insulation
5. Lead sheath
6. Single-layer plastic-tape bedding
7. Double steel-tape armour
8. Outer covering

Note: Conductor twisting is not illustrated