



ЦАСБ 3x95(ож)-10 TY Y 27.3-00214534-091:2017

Power cables with aluminium conductors, with non-draining impregnated paper insulation, lead-sheathed, steel-tape armoured

Cables are used for laying:

- without level difference limitation
- in soil (trenches) with medium corrosiveness without vagabond currents
- in soil (trenches) with low corrosiveness, as well as with vagabond currents
- in mines, non-hazardous as for gas and dust
- with a risk of mechanical damage and no tensile forces in operation

TECHNICAL SPECIFICATIONS

| | | |
|--|-----------------|-------------------------------------|
| Rated voltage | kV | 10 |
| Number and rated area of conductors | mm ² | 3 x 95 |
| Insulation thickness between conductors | mm | 5.5 |
| Insulation thickness of conductor-sheath | mm | 4 |
| Sheath thickness | mm | 1.46 |
| Permissible continuous current rating * | | |
| • by aerial laying | A | 194 |
| • by burial | A | 192 |
| Operating temperature range | °C | -50 ... +50 |
| Minimum bending radius by laying | mm | 720 |
| Metal sheath outer diameter (for reference only) | mm | 36 |
| Rated outer diameter of the cable (for reference) ** | mm | 48 |
| Cable weight (approximate) | kg/km | 4560 |
| Rated factory cable length and gross weight of the delivery on the drums | m, t | # 16a: 440 • 2.3 # 18: 500 • 2.7 |

Notes:

When ordering it is necessary to agree the factory length of the product with the manufacturer

* Long permissible current loads are calculated for the following conditions: air temperature plus 25 °C, soil temperature plus 15 °C, thermal resistivity of soil 1.2 °K·m/W, laying depth in the soil 0.7 m

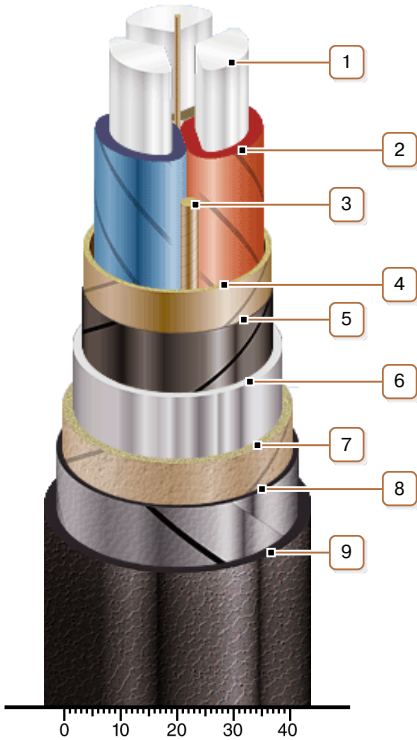
** The external diameter may differ from the rated up to ± 10 %



ЦАББ 3x95(ож)-10
ТУ У 27.3-00214534-091:2017

Power cables with aluminium conductors, with non-draining impregnated paper insulation, lead-sheathed, steel-tape armoured

CONSTRUCTION



1. Aluminium conductor
2. Impregnated paper insulation
3. Cable paper bundle
4. Belt insulation
5. Conducting paper screen
6. Lead sheath
7. Bedding
8. Double steel-tape armour
9. Outer covering

Note: Conductor twisting is not illustrated