



## АСБ 3x120-10 TY Y 27.3-00214534-091:2017

Power cables with aluminium conductors, with impregnated paper insulation, lead-sheathed, steel-tape armoured

Cables are used for laying:

- in soil (trenches) with medium corrosiveness without vagabond currents
- in soil (trenches) with low corrosiveness, as well as with vagabond currents
- in mines, non-hazardous as for gas and dust
- with a risk of mechanical damage and no tensile forces in operation

### TECHNICAL SPECIFICATIONS

|  |                 |  |
|--|-----------------|--|
| Rated voltage  | kV              | 10   |
| Number and rated area of conductors  | mm <sup>2</sup> | 3 x 120  |
| Insulation thickness between conductors                                      | mm              | 5.5  |
| Insulation thickness of conductor-sheath                                     | mm              | 4  |
| Sheath thickness   | mm              | 1.56   |
| Permissible continuous current rating *                                      |                 |  |
| • by aerial laying   | A               | 234  |
| • by burial  | A               | 218  |
| Operating temperature range  | °C              | -50 ... +50  |
| Minimum bending radius by laying   | mm              | 780  |
| Level difference along the laying rout, not more than                        | m               | 15   |
| Metal sheath outer diameter (for reference only)                             | mm              | 41   |
| Rated outer diameter of the cable (for reference) **                         | mm              | 52   |
| Cable weight (approximate)   | kg/km           | 5490   |
| Rated factory cable length and gross weight of the delivery on the drums *** | m, t            | # 16a: 370 • 2.3<br># 18: 430 • 2.8<br># 20: 680 • 4.4 |

Notes:

When ordering it is necessary to agree the factory length of the product with the manufacturer

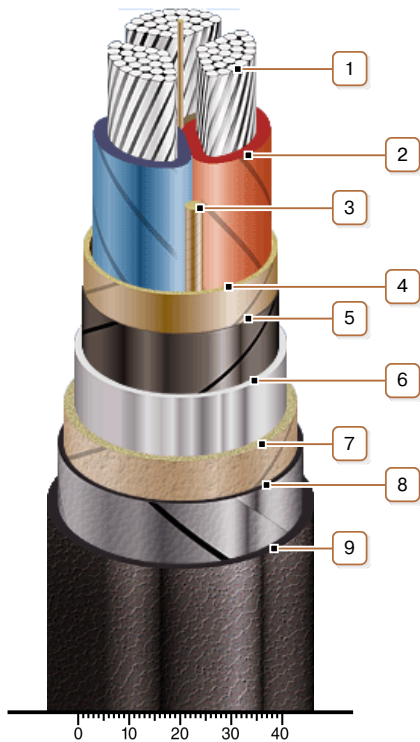
\* Long permissible current loads are calculated for the following conditions: air temperature plus 25 °C, soil temperature plus 15 °C, thermal resistivity of soil 1.2 °K·m/W, laying depth in the soil 0.7 m

\*\* The external diameter may differ from the rated up to ± 10 %



## АСБ 3x120-10 ТУ У 27.3-00214534-091:2017

Power cables with aluminium conductors, with impregnated paper insulation, lead-sheathed, steel-tape armoured



### CONSTRUCTION

1. Aluminium multiwire compacted conductor
2. Impregnated paper insulation
3. Cable paper bundle
4. Belt insulation
5. Conducting paper screen
6. Lead sheath
7. Bedding
8. Double steel-tape armour
9. Outer covering

Note: Conductor twisting is not illustrated