



## АСГ 3x35+1x16(ож)-1 TY Y 27.3-00214534-091:2017

Power cables with aluminium conductors, with impregnated paper insulation, lead-sheathed

Cables are used for laying:

- *in blocks*
- *with no risk of mechanical damage in operation*

Fire safety code in accordance with ДСТУ 4809:2007: ПБ100000000

Products of this mark meet the requirements:

- *single wire cable flame retardance*

### TECHNICAL SPECIFICATIONS

Rated voltage	kV	1
Number and rated area of conductors	mm <sup>2</sup>	3 x 35 + 1 x 16
Insulation thickness between conductors	mm	1.5
Insulation thickness of conductor-sheath	mm	1.25
Sheath thickness	mm	1.42
Permissible continuous current rating *		
• <i>by aerial laying</i>	A	118
• <i>by burial</i>	A	126
Operating temperature range	°C	-50 ... +50
Minimum bending radius by laying	mm	330
Level difference along the laying rout, not more than	m	20
Metal sheath outer diameter (for reference only)	mm	20
Rated outer diameter of the cable (for reference) **	mm	22
Cable weight (approximate)	kg/km	1450
Rated factory cable length and gross weight of the delivery on the drums	m, t	# 16: 790 • 1.4

Notes:

*When ordering it is necessary to agree the factory length of the product with the manufacturer*

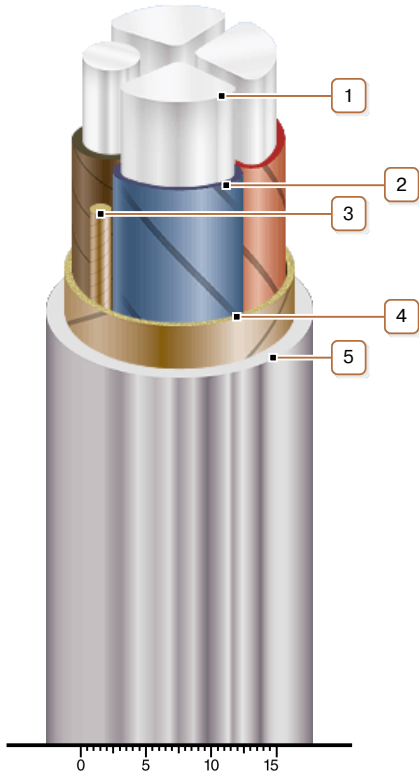
\* Long permissible current loads are calculated for the following conditions: air temperature plus 25 °C, soil temperature plus 15 °C, thermal resistivity of soil 1.2 °K·m/W, laying depth in the soil 0.7 m

\*\* The external diameter may differ from the rated up to ± 10 %



**АСГ 3x35+1x16(ож)-1**  
**ТУ У 27.3-00214534-091:2017**

Power cables with aluminium conductors, with impregnated paper insulation, lead-sheathed



**CONSTRUCTION**

1. Aluminium conductor
2. Impregnated paper insulation
3. Cable paper bundle
4. Belt insulation
5. Lead sheath

*Note: Conductor twisting is not illustrated*