



## ААП2лШв 3x150(ож)-6 ТУ У 27.3-00214534-091:2017

Power cables with aluminium conductors, with non-draining impregnated paper insulation, aluminium-sheathed, steel-wire armoured, with PVC-compound protection hose

Cables are used for laying:

- in soil (trenches) with high corrosiveness, as well as with vagabond currents
- in dry premises (tunnels), ducts, cable cellars, mines, collectors, industrial and other premises, including damp, partially flooded premises, environment with medium and high corrosiveness
- in fire-risk premises
- on technological trestles
- with a risk of mechanical damage and tensile forces in operation

Fire safety code in accordance with ДСТУ 4809:2007: ПБ100000000

Products of this mark meet the requirements:

- single wire cable flame retardance

### TECHNICAL SPECIFICATIONS

|  |                 |   |
|--|-----------------|---|
| Rated voltage  | kV              | 6   |
| Number and rated area of conductors                                      | mm <sup>2</sup> | 3 x 150   |
| Insulation thickness between conductors                                  | mm              | 4   |
| Insulation thickness of conductor-sheath                                 | mm              | 2.95  |
| Sheath thickness   | mm              | 1.5   |
| Permissible continuous current rating *                                  |                 |   |
| • by aerial laying   | A               | 285   |
| • by burial  | A               | 275   |
| Operating temperature range  | °C              | -50 ... +50   |
| Minimum bending radius by laying   | mm              | 1375  |
| Level difference along the laying route, not more than                   | m               | 20  |
| Metal sheath outer diameter (for reference only)                         | mm              | 37  |
| Rated outer diameter of the cable (for reference) **                     | mm              | 55  |
| Cable weight (approximate)   | kg/km           | 5370  |
| Rated factory cable length and gross weight of the delivery on the drums | m, t            | # 18: 370 • 2.4<br># 20: 590 • 3.8<br># 22: 670 • 4.4 |

Notes:

When ordering it is necessary to agree the factory length of the product with the manufacturer

\* Long permissible current loads are calculated for the following conditions: air temperature plus 25 °C, soil temperature plus 15 °C, thermal resistivity of soil 1.2 °K·m/W, laying depth in the soil 0.7 m

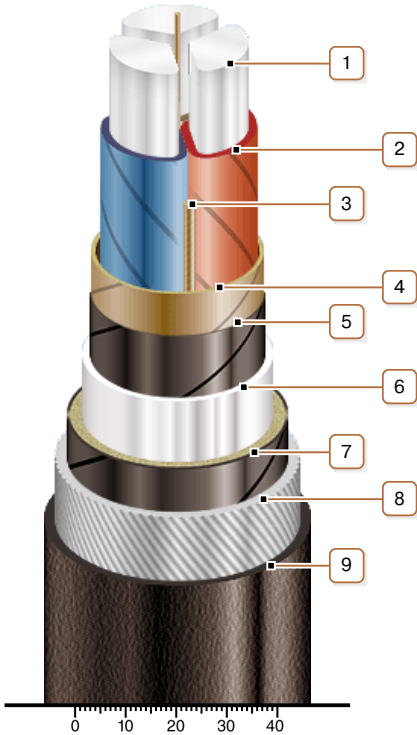
\*\* The external diameter may differ from the rated up to ± 10 %



## ААП2лШв 3x150(ож)-6 ТУ У 27.3-00214534-091:2017

Power cables with aluminium conductors, with non-draining impregnated paper insulation, aluminium-sheathed, steel-wire armoured, with PVC-compound protection hose

### CONSTRUCTION



1. Aluminium conductor
2. Impregnated paper insulation
3. Cable paper bundle
4. Belt insulation
5. Conducting paper screen
6. Aluminium sheath
7. Double-layer plastic-tape bedding
8. Round galvanized steel-wire armour
9. Pressed PVC compound protection hose

Note: Conductor twisting is not illustrated