



## ЦААПлГ 3x120-6 ТУ У 27.3-00214534-091:2017

Power cables with aluminium conductors, with non-draining impregnated paper insulation, aluminium-sheathed, steel-wire armoured

Cables are used for laying:

- without level difference limitation
- in dry premises (tunnels), ducts, cable cellars, mines, collectors, industrial and other premises, including damp, partially flooded premises, environment with medium and high corrosiveness
- in fire-risk premises
- on technological trestles
- on special cable bridges
- on bridges
- with a risk of mechanical damage and tensile forces in operation

Fire safety code in accordance with ДСТУ 4809:2007: ПБ100000000

Products of this mark meet the requirements:

- single wire cable flame retardance

### TECHNICAL SPECIFICATIONS

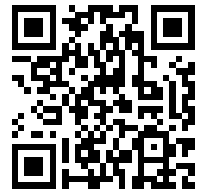
|  |                 |                 |
|--|-----------------|-----------------|
| Rated voltage  | kV              | 6               |
| Number and rated area of conductors  | mm <sup>2</sup> | 3 x 120         |
| Insulation thickness between conductors                                      | mm              | 4               |
| Insulation thickness of conductor-sheath                                     | mm              | 2.95            |
| Sheath thickness   | mm              | 1.5             |
| Permissible continuous current rating *                                      |                 |                 |
| • by aerial laying   | A               | 248             |
| • by burial  | A               | 243             |
| Operating temperature range  | °C              | -50 ... +50     |
| Minimum bending radius by laying   | mm              | 1225            |
| Metal sheath outer diameter (for reference only)                             | mm              | 37              |
| Rated outer diameter of the cable (for reference) **                         | mm              | 49              |
| Cable weight (approximate)   | kg/km           | 4620            |
| Rated factory cable length and gross weight of the delivery on the drums *** | m, t            | # 18: 460 • 2.6 |

Notes:

When ordering it is necessary to agree the factory length of the product with the manufacturer

\* Long permissible current loads are calculated for the following conditions: air temperature plus 25 °C, soil temperature plus 15 °C, thermal resistivity of soil 1.2 °K·m/W, laying depth in the soil 0.7 m

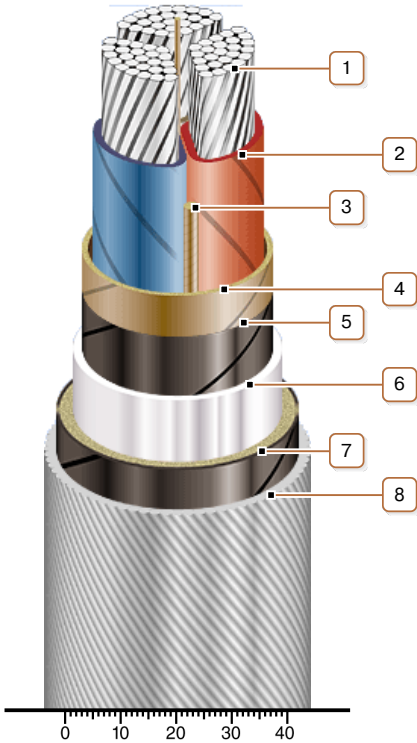
\*\* The external diameter may differ from the rated up to ± 10 %



## ЦААПЛГ 3x120-6 ТУ У 27.3-00214534-091:2017

Power cables with aluminium conductors, with non-draining impregnated paper insulation, aluminium-sheathed, steel-wire armoured

### CONSTRUCTION



1. Aluminium multiwire compacted conductor
2. Impregnated paper insulation
3. Cable paper bundle
4. Belt insulation
5. Conducting paper screen
6. Aluminium sheath
7. Single-layer plastic-tape bedding
8. Round galvanized steel-wire armour

Note: Conductor twisting is not illustrated