



ААП2л 4x35(ож)-1 ТУ У 27.3-00214534-091:2017

Power cables with aluminium conductors, with impregnated paper insulation, aluminium-sheathed, steel-wire armoured

Cables are used for laying:

- *in soil (trenches) with medium corrosiveness, as well as with vagabond currents*
- *with a risk of mechanical damage and tensile forces in operation*

TECHNICAL SPECIFICATIONS

Rated voltage	kV	1
Number and rated area of conductors	mm ²	4 x 35
Insulation thickness between conductors	mm	1.5
Insulation thickness of conductor-sheath	mm	1.25
Sheath thickness	mm	1.2
Permissible continuous current rating *		
• <i>by aerial laying</i>	A	110
• <i>by burial</i>	A	117
Operating temperature range	°C	-50 ... +50
Minimum bending radius by laying	mm	950
Level difference along the laying rout, not more than	m	25
Metal sheath outer diameter (for reference only)	mm	21
Rated outer diameter of the cable (for reference) **	mm	38
Cable weight (approximate)	kg/km	2650
Rated factory cable length and gross weight of the delivery on the drums	m, t	# 16a: 700 • 2.1

Notes:

When ordering it is necessary to agree the factory length of the product with the manufacturer

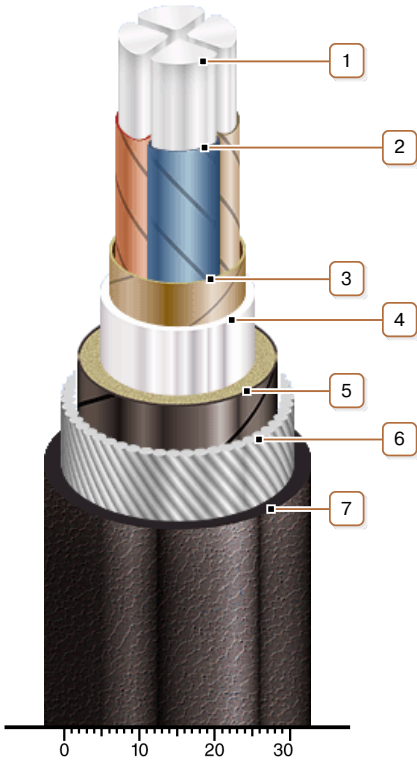
* *Long permissible current loads are calculated during operation in four-wire networks with load in all the conductors for the following conditions: air temperature plus 25 °C, soil temperature plus 15 °C, thermal resistivity of soil 1.2 °K·m/W, laying depth in the soil 0.7 m*

** *The external diameter may differ from the rated up to ± 10 %*



ААП2л 4x35(ож)-1
ТУ У 27.3-00214534-091:2017

Power cables with aluminium conductors, with impregnated paper insulation, aluminium-sheathed, steel-wire armoured



CONSTRUCTION

1. Aluminium conductor
2. Impregnated paper insulation
3. Belt insulation
4. Aluminium sheath
5. Double-layer plastic-tape bedding
6. Round galvanized steel-wire armour
7. Outer covering

Note: Conductor twisting is not illustrated