



## ЦААПл 3x185(ож)-6 ТУ У 27.3-00214534-091:2017

Power cables with aluminium conductors, with non-draining impregnated paper insulation, aluminium-sheathed, steel-wire armoured

Cables are used for laying:

- without level difference limitation
- in soil (trenches) with medium corrosiveness without vagabond currents
- with a risk of mechanical damage and tensile forces in operation

### TECHNICAL SPECIFICATIONS

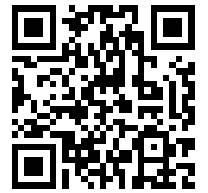
Rated voltage	kV	6
Number and rated area of conductors	mm <sup>2</sup>	3 x 185
Insulation thickness between conductors	mm	4
Insulation thickness of conductor-sheath	mm	2.95
Sheath thickness	mm	1.55
Permissible continuous current rating *		
• by aerial laying	A	333
• by burial	A	307
Operating temperature range	°C	-50 ... +50
Minimum bending radius by laying	mm	1425
Metal sheath outer diameter (for reference only)	mm	40
Rated outer diameter of the cable (for reference) **	mm	57
Cable weight (approximate)	kg/km	5680
Rated factory cable length and gross weight of the delivery on the drums ***	m, t	# 18: 340 • 2.4 # 20: 550 • 3.8 # 22: 620 • 4.3

Notes:

When ordering it is necessary to agree the factory length of the product with the manufacturer

\* Long permissible current loads are calculated for the following conditions: air temperature plus 25 °C, soil temperature plus 15 °C, thermal resistivity of soil 1.2 °K·m/W, laying depth in the soil 0.7 m

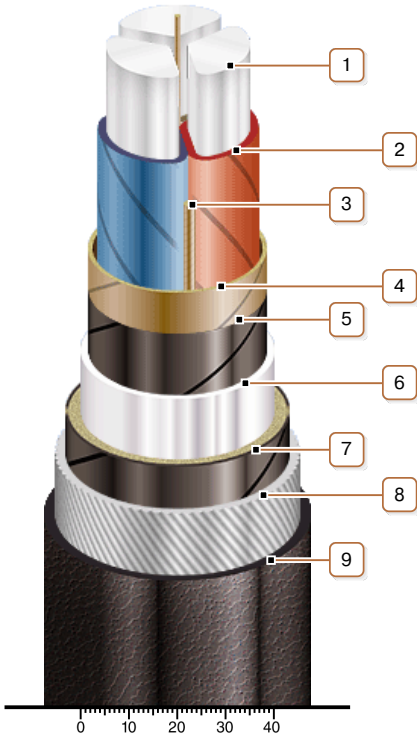
\*\* The external diameter may differ from the rated up to ± 10 %



## ЦААПл 3х185(ож)-6 ТУ У 27.3-00214534-091:2017

Power cables with aluminium conductors, with non-draining impregnated paper insulation, aluminium-sheathed, steel-wire armoured

### CONSTRUCTION



1. Aluminium conductor
2. Impregnated paper insulation
3. Cable paper bundle
4. Belt insulation
5. Conducting paper screen
6. Aluminium sheath
7. Single-layer plastic-tape bedding
8. Round galvanized steel-wire armour
9. Outer covering

Note: Conductor twisting is not illustrated