

ААПл 4x150(ож)-1 ТУ У 27.3-00214534-091:2017

Power cables with aluminium conductors, with impregnated paper insulation, aluminium-sheathed, steel-wire armoured

Cables are used for laying:

- *in soil (trenches) with medium corrosiveness without vagabond currents*
- *with a risk of mechanical damage and tensile forces in operation*

TECHNICAL SPECIFICATIONS

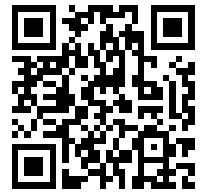
| | | |
|--|-----------------|---|
| Rated voltage | kV | 1 |
| Number and rated area of conductors | mm ² | 4 x 150 |
| Insulation thickness between conductors | mm | 1.7 |
| Insulation thickness of conductor-sheath | mm | 1.45 |
| Sheath thickness | mm | 1.5 |
| Permissible continuous current rating * | | |
| • <i>by aerial laying</i> | A | 279 |
| • <i>by burial</i> | A | 261 |
| Operating temperature range | °C | -50 ... +50 |
| Minimum bending radius by laying | mm | 1375 |
| Level difference along the laying rout, not more than | m | 25 |
| Metal sheath outer diameter (for reference only) | mm | 38 |
| Rated outer diameter of the cable (for reference) ** | mm | 55 |
| Cable weight (approximate) | kg/km | 5320 |
| Rated factory cable length and gross weight of the delivery on the drums | m, t | # 18: 370 • 2.4 # 20: 590 • 3.8 # 22: 670 • 4.4 |

Notes:

When ordering it is necessary to agree the factory length of the product with the manufacturer

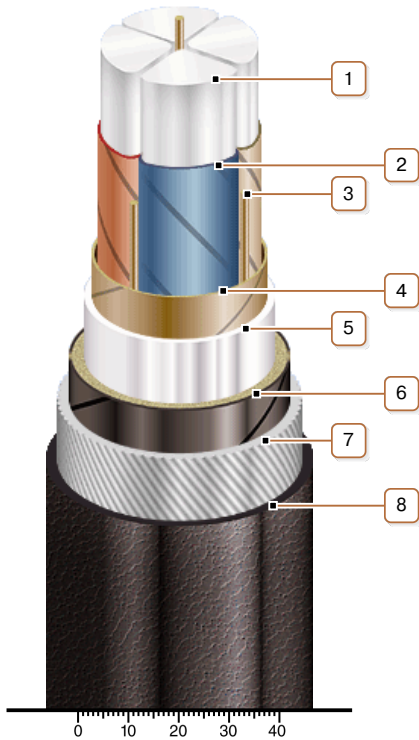
** Long permissible current loads are calculated during operation in four-wire networks with load in all the conductors for the following conditions: air temperature plus 25 °C, soil temperature plus 15 °C, thermal resistivity of soil 1.2 °K·m/W, laying depth in the soil 0.7 m*

*** The external diameter may differ from the rated up to ± 10 %*



ААПл 4х150(ож)-1 ТУ У 27.3-00214534-091:2017

Power cables with aluminium conductors, with impregnated paper insulation, aluminium-sheathed, steel-wire armoured



CONSTRUCTION

1. Aluminium conductor
2. Impregnated paper insulation
3. Cable paper bundle
4. Belt insulation
5. Aluminium sheath
6. Single-layer plastic-tape bedding
7. Round galvanized steel-wire armour
8. Outer covering

Note: Conductor twisting is not illustrated