



## ААПл 4х70(ож)-1 ТУ У 27.3-00214534-091:2017

Power cables with aluminium conductors, with impregnated paper insulation, aluminium-sheathed, steel-wire armoured

Cables are used for laying:

- *in soil (trenches) with medium corrosiveness without vagabond currents*
- *with a risk of mechanical damage and tensile forces in operation*

### TECHNICAL SPECIFICATIONS

|  |                 |                                     |
|--|-----------------|-------------------------------------|
| Rated voltage  | kV              | 1                                   |
| Number and rated area of conductors                                      | mm <sup>2</sup> | 4 x 70                              |
| Insulation thickness between conductors                                  | mm              | 1.5                                 |
| Insulation thickness of conductor-sheath                                 | mm              | 1.25                                |
| Sheath thickness   | mm              | 1.3                                 |
| Permissible continuous current rating *                                  |                 |                                     |
| • <i>by aerial laying</i>  | A               | 167                                 |
| • <i>by burial</i>   | A               | 171                                 |
| Operating temperature range  | °C              | -50 ... +50                         |
| Minimum bending radius by laying   | mm              | 1100                                |
| Level difference along the laying rout, not more than                    | m               | 25                                  |
| Metal sheath outer diameter (for reference only)                         | mm              | 27                                  |
| Rated outer diameter of the cable (for reference) **                     | mm              | 44                                  |
| Cable weight (approximate)   | kg/km           | 3460                                |
| Rated factory cable length and gross weight of the delivery on the drums | m, t            | # 16a: 520 • 2.1<br># 18: 600 • 2.5 |

Notes:

*When ordering it is necessary to agree the factory length of the product with the manufacturer*

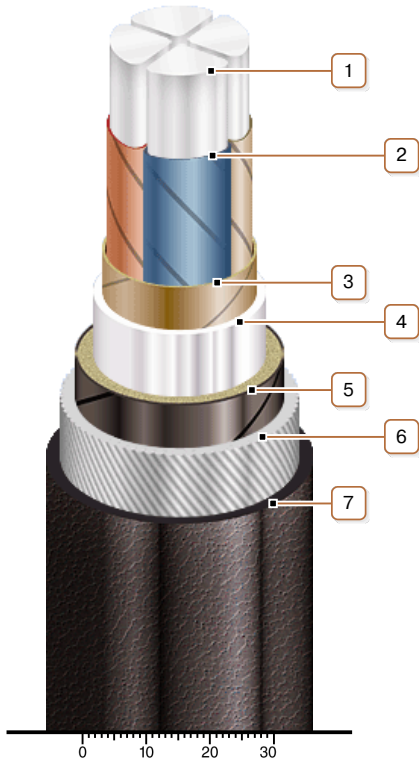
\* *Long permissible current loads are calculated during operation in four-wire networks with load in all the conductors for the following conditions: air temperature plus 25 °C, soil temperature plus 15 °C, thermal resistivity of soil 1.2 °K·m/W, laying depth in the soil 0.7 m*

\*\* *The external diameter may differ from the rated up to ± 10 %*



## ААПл 4х70(ож)-1 ТУ У 27.3-00214534-091:2017

Power cables with aluminium conductors, with impregnated paper insulation, aluminium-sheathed, steel-wire armoured



### CONSTRUCTION

1. Aluminium conductor
2. Impregnated paper insulation
3. Belt insulation
4. Aluminium sheath
5. Single-layer plastic-tape bedding
6. Round galvanized steel-wire armour
7. Outer covering

Note: Conductor twisting is not illustrated