



## ААБ2лШв 1x400-3 TY 16.K71-269-97

Power cables with aluminium conductors, with impregnated paper insulation, aluminium-sheathed, steel-tape armoured, with PVC-compound protection hose

Cables are used for laying:

- in soil (trenches) with high corrosiveness without vagabond currents
- in dry premises (tunnels), ducts, cable cellars, mines, collectors, industrial and other premises, including damp, partially flooded premises, environment with medium and high corrosiveness
- on technological trestles
- in mines, non-hazardous as for gas and dust
- with a risk of mechanical damage and no tensile forces in operation

Fire safety code in accordance with ДСТУ 4809:2007: ПБ100000000

Products of this mark meet the requirements:

- single wire cable flame retardance

### TECHNICAL SPECIFICATIONS

|  |                 |                                     |
|--|-----------------|-------------------------------------|
| Rated voltage  | kV              | 3                                   |
| Number and rated area of conductors  | mm <sup>2</sup> | 1 x 400                             |
| Insulation thickness of conductor-sheath                                     | mm              | 2.2                                 |
| Sheath thickness   | mm              | 1.4                                 |
| Permissible continuous direct current rating *                               |                 |                                     |
| • by aerial laying   | A               | 838                                 |
| • by burial  | A               | 663                                 |
| Operating temperature range  | °C              | -50 ... +50                         |
| Minimum bending radius by laying   | mm              | 1075                                |
| Level difference along the laying route, not more than                       | m               | 25                                  |
| Metal sheath outer diameter (for reference only)                             | mm              | 31                                  |
| Rated outer diameter of the cable (for reference) **                         | mm              | 43                                  |
| Cable weight (approximate)   | kg/km           | 3210                                |
| Rated factory cable length and gross weight of the delivery on the drums *** | m, t            | # 16a: 520 • 1.9<br># 18: 600 • 2.4 |

Notes:

When ordering it is necessary to agree the factory length of the product with the manufacturer

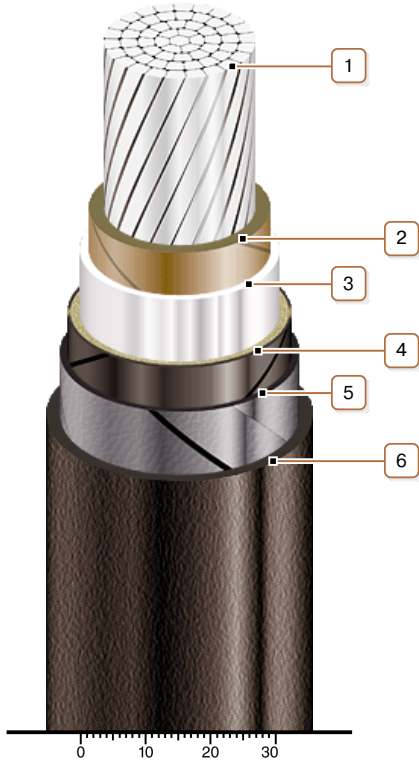
\* Long permissible current loads are calculated for the following conditions: air temperature plus 25 °C, soil temperature plus 15 °C, thermal resistivity of soil 1.2 °K·m/W, laying depth in the soil 0.7 m

\*\* The external diameter may differ from the rated up to ± 10 %



**ААБ2лШв 1x400-3**  
**ТУ 16.К71-269-97**

Power cables with aluminium conductors, with impregnated paper insulation, aluminium-sheathed, steel-tape armoured, with PVC-compound protection hose



**CONSTRUCTION**

1. Aluminium multiwire compacted conductor
2. Impregnated paper insulation
3. Aluminium sheath
4. Double-layer plastic-tape bedding
5. Double steel-tape armour
6. Pressed PVC compound protection hose