



ААБ2лШв 1x800-1 ГОСТ 18410-73, ТУ 16.К71-269-97

Power cables with aluminium conductors, with impregnated paper insulation, aluminium-sheathed, steel-tape armoured, with PVC-compound protection hose

Cables are used for laying:

- in soil (trenches) with high corrosiveness without vagabond currents
- in dry premises (tunnels), ducts, cable cellars, mines, collectors, industrial and other premises, including damp, partially flooded premises, environment with medium and high corrosiveness
- on technological trestles
- in mines, non-hazardous as for gas and dust
- with a risk of mechanical damage and no tensile forces in operation

Fire safety code in accordance with ДСТУ 4809:2007: ПБ100000000

Products of this mark meet the requirements:

- single wire cable flame retardance

TECHNICAL SPECIFICATIONS

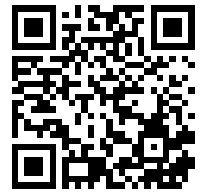
Rated voltage	kV	1
Number and rated area of conductors	mm ²	1 x 800
Insulation thickness of conductor-sheath	mm	2.4
Sheath thickness	mm	1.65
Permissible continuous direct current rating *		
• by aerial laying	A	1318
• by burial	A	987
Operating temperature range	°C	-50 ... +50
Minimum bending radius by laying	mm	1375
Level difference along the laying rout, not more than	m	25
Metal sheath outer diameter (for reference only)	mm	42
Rated outer diameter of the cable (for reference) **	mm	55
Cable weight (approximate)	kg/km	5210
Rated factory cable length and gross weight of the delivery on the drums	m, t	# 18: 370 • 2.4 # 20: 590 • 3.7 # 22: 670 • 4.3

Notes:

When ordering it is necessary to agree the factory length of the product with the manufacturer

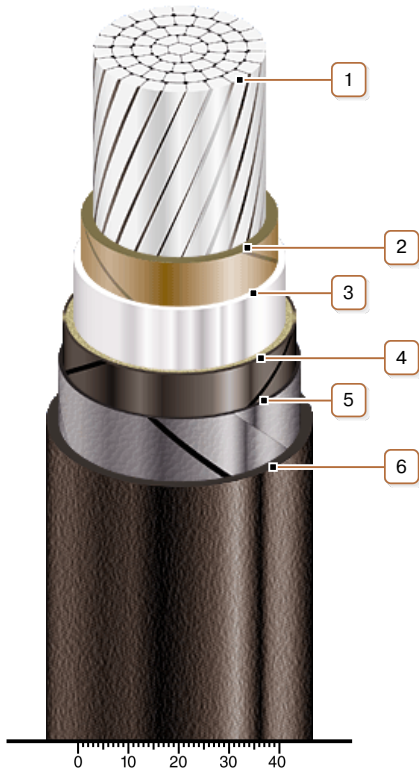
* Long permissible current loads are calculated for the following conditions: air temperature plus 25 °C, soil temperature plus 15 °C, thermal resistivity of soil 1.2 °K·m/W, laying depth in the soil 0.7 m

** The external diameter may differ from the rated up to ± 10 %



ААБ2лШв 1x800-1
ГОСТ 18410-73, ТУ 16.К71-269-97

Power cables with aluminium conductors, with impregnated paper insulation, aluminium-sheathed, steel-tape armoured, with PVC-compound protection hose



CONSTRUCTION

1. Aluminium multiwire compacted conductor
2. Impregnated paper insulation
3. Aluminium sheath
4. Double-layer plastic-tape bedding
5. Double steel-tape armour
6. Pressed PVC compound protection hose