

## ААБ2лШв 1x500-1 ГОСТ 18410-73, ТУ 16.К71-269-97

Power cables with aluminium conductors, with impregnated paper insulation, aluminium-sheathed, steel-tape armoured, with PVC-compound protection hose

Cables are used for laying:

- in soil (trenches) with high corrosiveness without vagabond currents
- in dry premises (tunnels), ducts, cable cellars, mines, collectors, industrial and other premises, including damp, partially flooded premises, environment with medium and high corrosiveness
- on technological trestles
- in mines, non-hazardous as for gas and dust
- with a risk of mechanical damage and no tensile forces in operation

Fire safety code in accordance with ДСТУ 4809:2007: ПБ100000000

Products of this mark meet the requirements:

- single wire cable flame retardance

### TECHNICAL SPECIFICATIONS

Rated voltage	kV	1
Number and rated area of conductors	mm <sup>2</sup>	1 x 500
Insulation thickness of conductor-sheath	mm	2.1
Sheath thickness	mm	1.45
Permissible continuous direct current rating *		
• by aerial laying	A	966
• by burial	A	752
Operating temperature range	°C	-50 ... +50
Minimum bending radius by laying	mm	1150
Level difference along the laying route, not more than	m	25
Metal sheath outer diameter (for reference only)	mm	34
Rated outer diameter of the cable (for reference) **	mm	46
Cable weight (approximate)	kg/km	3700
Rated factory cable length and gross weight of the delivery on the drums	m, t	# 18: 550 • 2.5

Notes:

When ordering it is necessary to agree the factory length of the product with the manufacturer

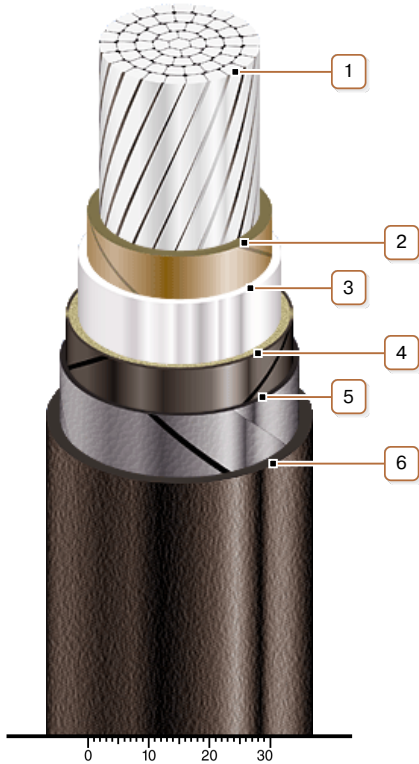
\* Long permissible current loads are calculated for the following conditions: air temperature plus 25 °C, soil temperature plus 15 °C, thermal resistivity of soil 1.2 °K·m/W, laying depth in the soil 0.7 m

\*\* The external diameter may differ from the rated up to ± 10 %



**ААБ2лШв 1x500-1**  
**ГОСТ 18410-73, ТУ 16.К71-269-97**

Power cables with aluminium conductors, with impregnated paper insulation, aluminium-sheathed, steel-tape armoured, with PVC-compound protection hose



**CONSTRUCTION**

- 
1. Aluminium multiwire compacted conductor
  2. Impregnated paper insulation
  3. Aluminium sheath
  4. Double-layer plastic-tape bedding
  5. Double steel-tape armour
  6. Pressed PVC compound protection hose
-