



## ААБл 1х240-3 TY 16.K71-269-97

Power cables with aluminium conductors, with impregnated paper insulation, aluminium-sheathed, steel-tape armoured

Cables are used for laying:

- *in soil (trenches) with medium corrosiveness without vagabond currents*
- *with a risk of mechanical damage and no tensile forces in operation*

### TECHNICAL SPECIFICATIONS

Rated voltage	kV	3
Number and rated area of conductors	mm <sup>2</sup>	1 x 240
Insulation thickness of conductor-sheath	mm	2
Sheath thickness	mm	1.3
Permissible continuous direct current rating *		
• <i>by aerial laying</i>	A	604
• <i>by burial</i>	A	496
Operating temperature range	°C	-50 ... +50
Minimum bending radius by laying	mm	900
Level difference along the laying rout, not more than	m	25
Metal sheath outer diameter (for reference only)	mm	25
Rated outer diameter of the cable (for reference) **	mm	36
Cable weight (approximate)	kg/km	1900
Rated factory cable length and gross weight of the delivery on the drums	m, t	# 16a: 780 • 1.7

Notes:

*When ordering it is necessary to agree the factory length of the product with the manufacturer*

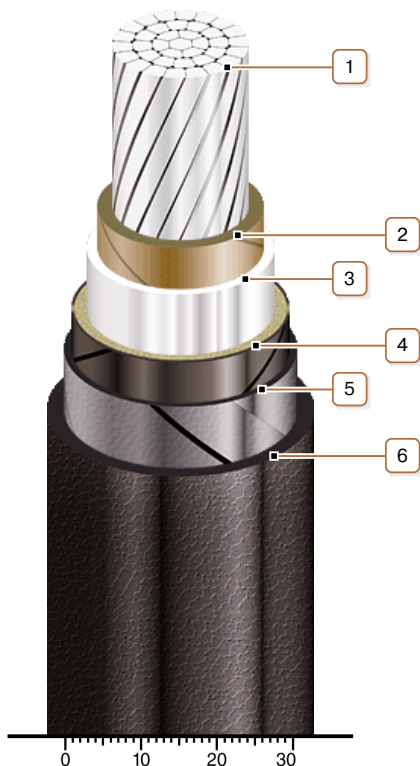
*\* Long permissible current loads are calculated for the following conditions: air temperature plus 25 °C, soil temperature plus 15 °C, thermal resistivity of soil 1.2 °K·m/W, laying depth in the soil 0.7 m*

*\*\* The external diameter may differ from the rated up to ± 10 %*



**ААБл 1х240-3**  
**ТУ 16.К71-269-97**

Power cables with aluminium conductors, with impregnated paper insulation, aluminium-sheathed, steel-tape armoured



**CONSTRUCTION**

- 
1. Aluminium multiwire compacted conductor
  2. Impregnated paper insulation
  3. Aluminium sheath
  4. Single-layer plastic-tape bedding
  5. Double steel-tape armour
  6. Outer covering
-