



ААБл 1х185-3 TY 16.K71-269-97

Power cables with aluminium conductors, with impregnated paper insulation, aluminium-sheathed, steel-tape armoured

Cables are used for laying:

- *in soil (trenches) with medium corrosiveness without vagabond currents*
- *with a risk of mechanical damage and no tensile forces in operation*

TECHNICAL SPECIFICATIONS

Rated voltage	kV	3
Number and rated area of conductors	mm ²	1 x 185
Insulation thickness of conductor-sheath	mm	2
Sheath thickness	mm	1.3
Permissible continuous direct current rating *		
• <i>by aerial laying</i>	A	508
• <i>by burial</i>	A	426
Operating temperature range	°C	-50 ... +50
Minimum bending radius by laying	mm	850
Level difference along the laying rout, not more than	m	25
Metal sheath outer diameter (for reference only)	mm	23
Rated outer diameter of the cable (for reference) **	mm	34
Cable weight (approximate)	kg/km	1920
Rated factory cable length and gross weight of the delivery on the drums	m, t	# 16: 330 • 0.9 # 16a: 870 • 1.9

Notes:

When ordering it is necessary to agree the factory length of the product with the manufacturer

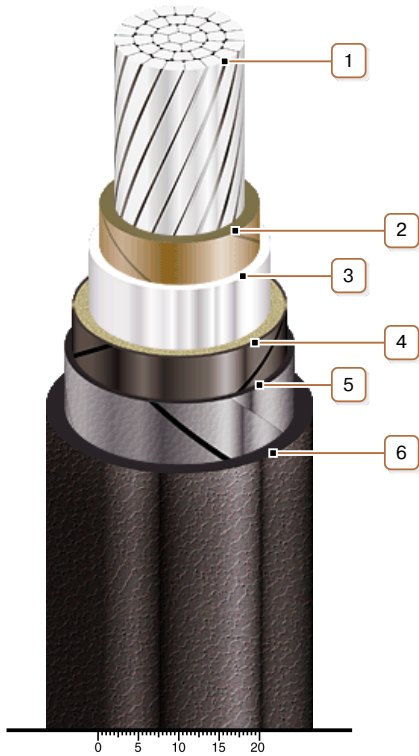
** Long permissible current loads are calculated for the following conditions: air temperature plus 25 °C, soil temperature plus 15 °C, thermal resistivity of soil 1.2 °K·m/W, laying depth in the soil 0.7 m*

*** The external diameter may differ from the rated up to ± 10 %*



ААБл 1х185-3
ТУ 16.К71-269-97

Power cables with aluminium conductors, with impregnated paper insulation, aluminium-sheathed, steel-tape armoured



CONSTRUCTION

1. Aluminium multiwire compacted conductor
2. Impregnated paper insulation
3. Aluminium sheath
4. Single-layer plastic-tape bedding
5. Double steel-tape armour
6. Outer covering