



ААБл 1х630-1 ГОСТ 18410-73, ТУ 16.К71-269-97

Power cables with aluminium conductors, with impregnated paper insulation, aluminium-sheathed, steel-tape armoured

Cables are used for laying:

- *in soil (trenches) with medium corrosiveness without vagabond currents*
- *with a risk of mechanical damage and no tensile forces in operation*

TECHNICAL SPECIFICATIONS

Rated voltage	kV	1
Number and rated area of conductors	mm ²	1 x 630
Insulation thickness of conductor-sheath	mm	2.1
Sheath thickness	mm	1.5
Permissible continuous direct current rating *		
• <i>by aerial laying</i>	A	1122
• <i>by burial</i>	A	856
Operating temperature range	°C	-50 ... +50
Minimum bending radius by laying	mm	1200
Level difference along the laying rout, not more than	m	25
Metal sheath outer diameter (for reference only)	mm	37
Rated outer diameter of the cable (for reference) **	mm	48
Cable weight (approximate)	kg/km	4010
Rated factory cable length and gross weight of the delivery on the drums	m, t	# 18: 500 • 2.5

Notes:

When ordering it is necessary to agree the factory length of the product with the manufacturer

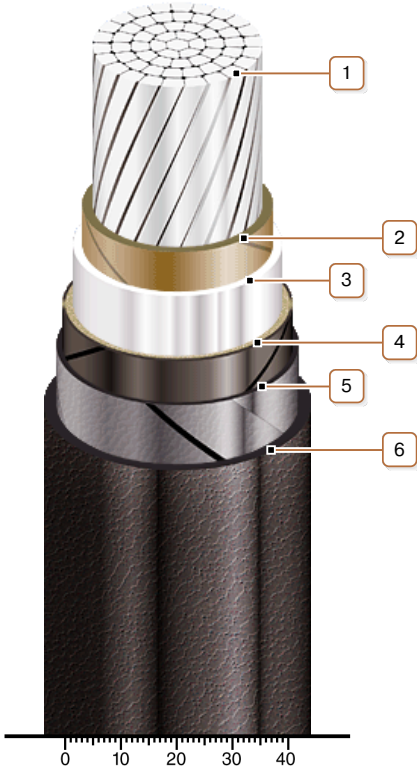
** Long permissible current loads are calculated for the following conditions: air temperature plus 25 °C, soil temperature plus 15 °C, thermal resistivity of soil 1.2 °K·m/W, laying depth in the soil 0.7 m*

*** The external diameter may differ from the rated up to ± 10 %*



ААБл 1х630-1
ГОСТ 18410-73, ТУ 16.К71-269-97

Power cables with aluminium conductors, with impregnated paper insulation, aluminium-sheathed, steel-tape armoured



CONSTRUCTION

-
1. Aluminium multiwire compacted conductor
 2. Impregnated paper insulation
 3. Aluminium sheath
 4. Single-layer plastic-tape bedding
 5. Double steel-tape armour
 6. Outer covering
-