



## ААБл 3x185(ож)-1 ТУ У 27.3-00214534-091:2017

Power cables with aluminium conductors, with impregnated paper insulation, aluminium-sheathed, steel-tape armoured

Cables are used for laying:

- *in soil (trenches) with medium corrosiveness without vagabond currents*
- *with a risk of mechanical damage and no tensile forces in operation*

### TECHNICAL SPECIFICATIONS

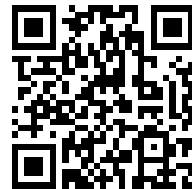
|  |                 |                 |
|--|-----------------|-----------------|
| Rated voltage  | kV              | 1               |
| Number and rated area of conductors                                      | mm <sup>2</sup> | 3 x 185         |
| Insulation thickness between conductors                                  | mm              | 1.9             |
| Insulation thickness of conductor-sheath                                 | mm              | 1.55            |
| Sheath thickness   | mm              | 1.45            |
| Permissible continuous current rating *                                  |                 |                 |
| • <i>by aerial laying</i>  | A               | 342             |
| • <i>by burial</i>   | A               | 314             |
| Operating temperature range  | °C              | -50 ... +50     |
| Minimum bending radius by laying   | mm              | 1175            |
| Level difference along the laying rout, not more than                    | m               | 25              |
| Metal sheath outer diameter (for reference only)                         | mm              | 35              |
| Rated outer diameter of the cable (for reference) **                     | mm              | 47              |
| Cable weight (approximate)   | kg/km           | 3520            |
| Rated factory cable length and gross weight of the delivery on the drums | m, t            | # 18: 500 • 2.2 |

Notes:

*When ordering it is necessary to agree the factory length of the product with the manufacturer*

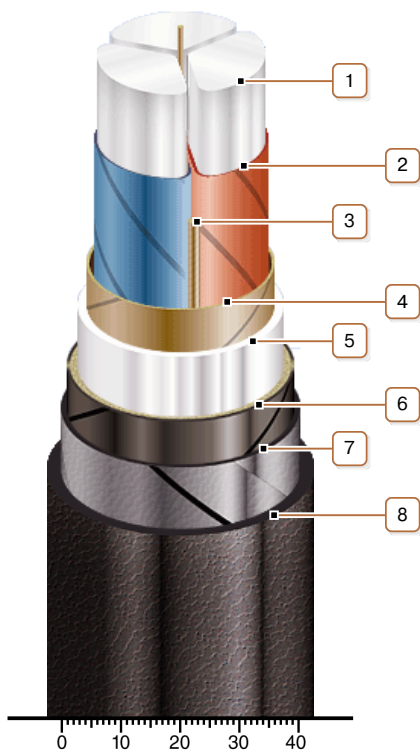
*\* Long permissible current loads are calculated for the following conditions: air temperature plus 25 °C, soil temperature plus 15 °C, thermal resistivity of soil 1.2 °K·m/W, laying depth in the soil 0.7 m*

*\*\* The external diameter may differ from the rated up to ± 10 %*



## ААБл 3х185(ож)-1 ТУ У 27.3-00214534-091:2017

Power cables with aluminium conductors, with impregnated paper insulation, aluminium-sheathed, steel-tape armoured



### CONSTRUCTION

1. Aluminium conductor
2. Impregnated paper insulation
3. Cable paper bundle
4. Belt insulation
5. Aluminium sheath
6. Single-layer plastic-tape bedding
7. Double steel-tape armour
8. Outer covering

Note: Conductor twisting is not illustrated