

## ААБлГ 3x185(ож)-6 ТУ У 27.3-00214534-091:2017

Power cables with aluminium conductors, with impregnated paper insulation, aluminium-sheathed, steel-tape armoured

Cables are used for laying:

- in dry premises (tunnels), ducts, cable cellars, mines, collectors, industrial and other premises, including damp, partially flooded premises, environment with medium and high corrosiveness
- in fire-risk premises
- on technological trestles
- on special cable bridges
- on bridges
- with a risk of mechanical damage and no tensile forces in operation

Fire safety code in accordance with ДСТУ 4809:2007: ПБ100000000

Products of this mark meet the requirements:

- single wire cable flame retardance

### TECHNICAL SPECIFICATIONS

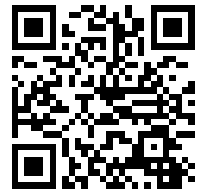
|  |                 |                 |
|--|-----------------|-----------------|
| Rated voltage  | kV              | 6               |
| Number and rated area of conductors                                      | mm <sup>2</sup> | 3 x 185         |
| Insulation thickness between conductors                                  | mm              | 4               |
| Insulation thickness of conductor-sheath                                 | mm              | 2.95            |
| Sheath thickness   | mm              | 1.55            |
| Permissible continuous current rating *                                  |                 |                 |
| • by aerial laying   | A               | 333             |
| • by burial  | A               | 307             |
| Operating temperature range  | °C              | -50 ... +50     |
| Minimum bending radius by laying   | mm              | 1175            |
| Level difference along the laying route, not more than                   | m               | 20              |
| Metal sheath outer diameter (for reference only)                         | mm              | 40              |
| Rated outer diameter of the cable (for reference) **                     | mm              | 47              |
| Cable weight (approximate)   | kg/km           | 3830            |
| Rated factory cable length and gross weight of the delivery on the drums | m, t            | # 18: 500 • 2.4 |

Notes:

When ordering it is necessary to agree the factory length of the product with the manufacturer

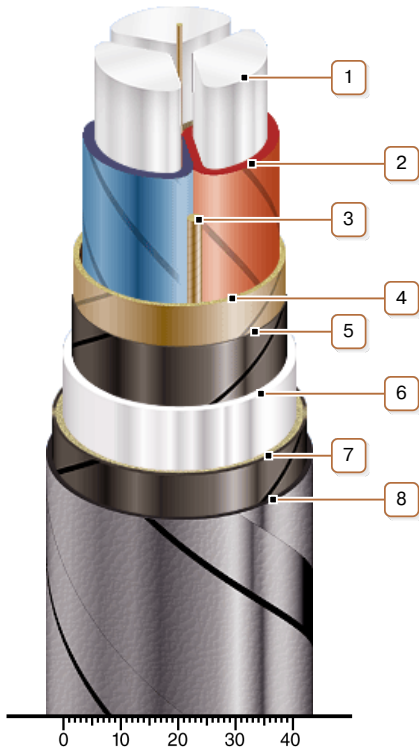
\* Long permissible current loads are calculated for the following conditions: air temperature plus 25 °C, soil temperature plus 15 °C, thermal resistivity of soil 1.2 °K·m/W, laying depth in the soil 0.7 m

\*\* The external diameter may differ from the rated up to ± 10 %



## ААБлГ 3х185(ож)-6 ТУ У 27.3-00214534-091:2017

Power cables with aluminium conductors, with impregnated paper insulation, aluminium-sheathed, steel-tape armoured



### CONSTRUCTION

1. Aluminium conductor
2. Impregnated paper insulation
3. Cable paper bundle
4. Belt insulation
5. Conducting paper screen
6. Aluminium sheath
7. Single-layer plastic-tape bedding
8. Double galvanized steel-tape armour

Note: Conductor twisting is not illustrated