



## ААГ 3x185+1x95(ож)-1 TY Y 27.3-00214534-091:2017

Power cables with aluminium conductors, with impregnated paper insulation, aluminium-sheathed

Cables are used for laying:

- in dry premises (tunnels), ducts, cable cellars, mines, collectors, industrial and other premises
- in fire-risk premises
- with no risk of mechanical damage in operation

Fire safety code in accordance with ДСТУ 4809:2007: ПБ100000000

Products of this mark meet the requirements:

- single wire cable flame retardance

### TECHNICAL SPECIFICATIONS

|  |                 |                  |
|--|-----------------|------------------|
| Rated voltage  | kV              | 1                |
| Number and rated area of conductors                                      | mm <sup>2</sup> | 3 x 185 + 1 x 95 |
| Insulation thickness between conductors                                  | mm              | 1.9              |
| Insulation thickness of conductor-sheath                                 | mm              | 1.55             |
| Sheath thickness   | mm              | 1.55             |
| Permissible continuous current rating *                                  |                 |                  |
| • by aerial laying   | A               | 342              |
| • by burial  | A               | 314              |
| Operating temperature range  | °C              | -50 ... +50      |
| Minimum bending radius by laying   | mm              | 1025             |
| Level difference along the laying rout, not more than                    | m               | 25               |
| Metal sheath outer diameter (for reference only)                         | mm              | 40               |
| Rated outer diameter of the cable (for reference) **                     | mm              | 41               |
| Cable weight (approximate)   | kg/km           | 2700             |
| Rated factory cable length and gross weight of the delivery on the drums | m, t            | # 18: 660 • 2.2  |

Notes:

When ordering it is necessary to agree the factory length of the product with the manufacturer

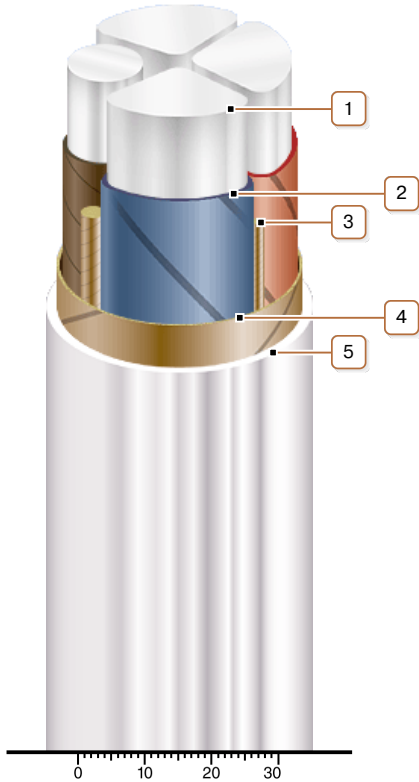
\* Long permissible current loads are calculated for the following conditions: air temperature plus 25 °C, soil temperature plus 15 °C, thermal resistivity of soil 1.2 °K·m/W, laying depth in the soil 0.7 m

\*\* The external diameter may differ from the rated up to ± 10 %



**ААГ 3x185+1x95(ож)-1**  
**ТУ У 27.3-00214534-091:2017**

Power cables with aluminium conductors, with impregnated paper insulation, aluminium-sheathed



### CONSTRUCTION

1. Aluminium conductor
2. Impregnated paper insulation
3. Cable paper bundle
4. Belt insulation
5. Aluminium sheath

*Note: Conductor twisting is not illustrated*