



## **АПВЭСПу-15 1x1200 ТУ У 27.3-00214534-092:2016**

Single-core power cables with aluminium conductors, XLPE-insulated, with copper screen, lead-sheathed, with reinforced outer sheath of polyethylene

---

Technical cable requirements correspond to IEC 60502-2

Cables are used for laying:

- *in places, where small mechanical impacts on cable are possible, including tensile forces*
- *in soil (trenches) with high corrosiveness*
- *in damp, partially flooded premises*
- *in wetlands*
- *in non-navigable waters*
- *on difficult route sections, according to the unique specification*
- *in the air, including cable structures, if provided the additional fire protection*

---

It is possible to manufacture cables with extruded semiconductor layer along outer sheath.

Order entry example:

АПВЭСПу-П-15 1x1200/70 ТУ У 27.3-00214534-092:2016

An extruded semiconductor layer along outer sheath ensures the correct testing of cable line with sections of underground laying in polymer pipes.

---

It is possible to manufacture cables with an integrated fiber-optic module.

Order entry example:

АПВЭСПу-15 1x1200/70 (OM) ТУ У 27.3-00214534-092:2016

In conjunction with the DTS system, the integrated fiber-optic module can act as a distributed cable line temperature sensor.

---

Cables without copper screen can also be manufactured

---

It is possible to manufacture cable with sealed conductor.

Order entry example:

АПВЭСПу-15 1x1200/70 (r) ТУ У 27.3-00214534-092:2016

---



## АПвЭСПу-15 1x1200 ТУ У 27.3-00214534-092:2016

Single-core power cables with aluminium conductors, XLPE-insulated, with copper screen, lead-sheathed, with reinforced outer sheath of polyethylene

### TECHNICAL SPECIFICATIONS

|  |                 |                             |
|--|-----------------|-----------------------------|
| Rated voltage  | kV              | 15                          |
| Maximum voltage  | kV              | 17.5                        |
| Number and rated area of conductors  | mm <sup>2</sup> | 1 x 1200                    |
| Insulation thickness   | mm              | 4.5                         |
| Sheath thickness   | mm              | 2.7                         |
| Permissible short circuit current across the screen                          | kA              | 19.70                       |
| Maximum permissible short-circuit current in core                            | kA              | 113                         |
| Permissible continuous current rating *                                      |                 |                             |
| • by aerial laying in trefoil formation                                      | A               | 1301                        |
| • by aerial flat laying  | A               | 1414                        |
| • by burial in trefoil formation   | A               | 860                         |
| • by burial flat   | A               | 813                         |
| Partial discharge factor for rated voltage, not more than                    | pC              | 6                           |
| Maximum permissible conductor temperature                                    |                 |                             |
| • Continuous   | °C              | +90                         |
| • in emergency operation   | °C              | +130                        |
| • at short circuit   | °C              | +250                        |
| Operating temperature range  | °C              | -60 ... +50                 |
| Minimum bending radius by laying   | mm              | 2025                        |
| Rated outer diameter of the cable (for reference) **                         | mm              | 81                          |
| Cable weight (approximate)   | kg/km           | 14410                       |
| Rated factory cable length and gross weight of the delivery on the drums *** | m, t            | # 30УД-130: **** 496 • 10.0 |

#### Notes:

When ordering it is necessary to agree the factory length of the product with the manufacturer

\* Long permissible current loads are calculated for the following conditions: conductor temperature 90 °C, air temperature 30 °C, soil temperature 20 °C, thermal resistivity of soil 1.5 °K·m/W, laying depth in the soil 0.8 m, while laying in flat formation the distance between cables in clear is equal to the cable diameter, while laying in trefoil formation cables are laid side by side, shields are earthed on both ends of the line

\*\* The external diameter may differ from the rated up to ± 10 %

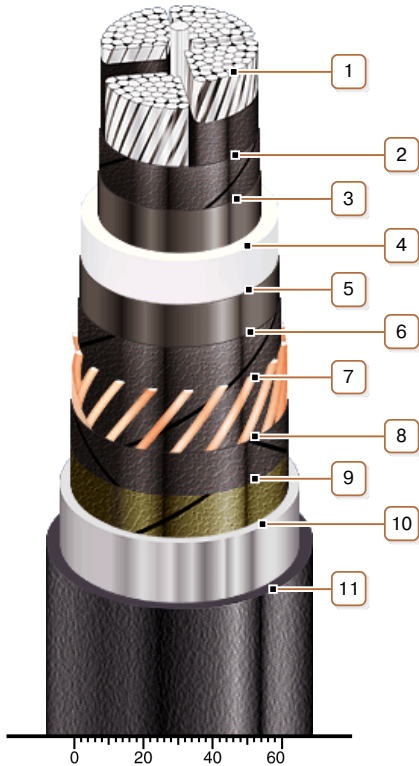
\*\*\* Отклонение фактической массы брутто от указанного значения может составлять ± 7 %

\*\*\*\* Option delivery on not full drum



## АПВЭСПу-15 1x1200 ТУ У 27.3-00214534-092:2016

Single-core power cables with aluminium conductors, XLPE-insulated, with copper screen, lead-sheathed, with reinforced outer sheath of polyethylene



### CONSTRUCTION

#### 1. Aluminium multiwire compacted conductor

Notes:

- It is possible to manufacture cable with sealed conductor.
- Conductor segment twisting is not illustrated

#### 2. Lapping layer of semiconductive swellable tape

#### 3. Inner extruded semiconducting layer

#### 4. XLPE insulation

#### 5. Outer extruded semiconducting layer

#### 6. Lapping layer of semiconductive swellable tape

#### 7. Copper screen

Note: Cables without copper screen can also be manufactured

#### 8. Lapping layer of semiconductive swellable tape

#### 9. Lapping layer of semiconductive tape

#### 10. Lead sheath

#### 11. Strengthened polyethylene outer sheath

Note: It is possible to manufacture cable with extruded semiconductor layer along outer sheath