



## **АПВЭВнгд-15 1x1600** **ТУ У 31.3-00214534-017-2003**

Power cables with aluminium conductors, flame-retardant, with XLPE and PVC compound outer sheath, with low smoke and gas emission

For the cable of this mark correspond the foreign-made analogues:

АПВВнг(В)-LS (RU) • АПВВнг(А)-LS (RU)

Technical cable requirements correspond to IEC 60502-2

Cables are used for laying:

- *in premises, tunnels, ducts, mines, dry soil and outdoor under shelter*
- *in bunches*
- *at sites, where low smoke and gas emission are required (NPP, subway, large industrial facilities, high-rise buildings, etc.)*

It is possible to manufacture cables with an integrated fiber-optic module.

Order entry example:

АПВЭВнгд-15 1x1600/95 (ОМ) ТУ У 31.3-00214534-017-2003

In conjunction with the DTS system, the integrated fiber-optic module can act as a distributed cable line temperature sensor.

It is possible to manufacture cable with sealed conductor.

Order entry example:

АПВЭВнгд-15 1x1600/95 (Г) ТУ У 31.3-00214534-017-2003

Fire safety code in accordance with ДСТУ 4809:2007: ПБ132121000

Products of this mark meet the requirements:

- *single wire cable flame retardance*
- *bunched cable flame retardance category B*
- *toxicity class Tk2 of the combustion products of nonmetallic elements (toxicity index from 40 up to 120 g/m<sup>3</sup>)*
- *class ДТк1 on smoke-forming ability by smouldering of non-metallic elements (coefficient of smoke formation from 50 to 500 m<sup>2</sup>/kg)*
- *class ДПк2 on smoke-forming ability by combustion (minimum luminous flux more than 60 %)*
- *corrosive class Kk1 of combustion products of non-metallic elements (the number of halogen hydrides less than 150 mg/g, pH less than 4.3, specific conductivity more than 10 μS/mm)*



## АПвЭВнгд-15 1x1600 ТУ У 31.3-00214534-017-2003

Power cables with aluminium conductors, flame-retardant, with XLPE and PVC compound outer sheath, with low smoke and gas emission

### TECHNICAL SPECIFICATIONS

|  |                 |             |
|--|-----------------|-------------|
| Rated voltage  | kV              | 15          |
| Maximum voltage  | kV              | 17.5        |
| Number and rated area of conductors  | mm <sup>2</sup> | 1 x 1600    |
| Insulation thickness   | mm              | 4.5         |
| Minimum screen cross-section   | mm <sup>2</sup> | 95          |
| Permissible short circuit current across the screen of minimum cross-section | kA              | 19.3        |
| Maximum permissible short-circuit current in core                            | kA              | 151         |
| Permissible continuous current rating *                                      |                 |             |
| • by aerial laying in trefoil formation                                      | A               | 1496        |
| • by aerial flat laying  | A               | 1626        |
| • by burial in trefoil formation   | A               | 963         |
| • by burial flat   | A               | 860         |
| Partial discharge factor for rated voltage, not more than                    | pC              | 6           |
| Maximum permissible conductor temperature                                    |                 |             |
| • Continuous   | °C              | +90         |
| • in emergency operation   | °C              | +130        |
| • at short circuit   | °C              | +250        |
| Operating temperature range (in climate version NF)                          | °C              | -50 ... +50 |
| Operating temperature range (in climate version T)                           | °C              | -25 ... +65 |
| Minimum bending radius by laying   | mm              | 1264        |
| Rated outer diameter of the cable (for reference) **                         | mm              | 79          |
| Cable weight (approximate)   | kg/km           | 8180        |

#### Notes:

When ordering it is necessary to agree the factory length of the product with the manufacturer

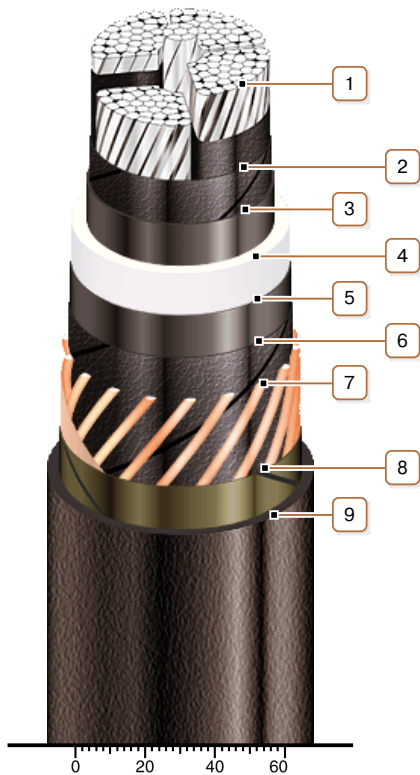
\* Long permissible current loads are calculated for the following conditions: conductor temperature 90 °C, air temperature 30 °C, soil temperature 20 °C, thermal resistivity of soil 1.5 °K·m/W, laying depth in the soil 0.8 m, while laying in flat formation the distance between cables in clear is equal to the cable diameter, while laying in trefoil formation cables are laid side by side, shields are earthed on both ends of the line

\*\* The external diameter may differ from the rated up to ± 10 %



## АПвЭВнгд-15 1x1600 ТУ У 31.3-00214534-017-2003

Power cables with aluminium conductors, flame-retardant, with XLPE and PVC compound outer sheath, with low smoke and gas emission



### CONSTRUCTION

#### 1. Aluminium multiwire compacted conductor

Notes:

- It is possible to manufacture cable with sealed conductor.
- Conductor segment twisting is not illustrated

#### 2. Lapping layer of semiconductive swellable tape

#### 3. Inner extruded semiconducting layer

#### 4. XLPE insulation

#### 5. Outer extruded semiconducting layer

#### 6. Lapping layer of semiconductive swellable tape

#### 7. Copper screen

#### 8. Lapping layer of glass tape

#### 9. Low fire-risk PVC compound outer sheath