



ОЦБГПТ * 1 – 2 ТУ У 31.3-00214534-047:2005

Fiber optic overhead tubular-core cables, corrugated steel-tape armoured, with polyethylene outer sheath

Mark formation:

ОЦБГПТ -[b] [c]1(1x[e])-2

[b] quantity of optical fibers in the cable, possible values

- 2, 4, 6, 8, 10, 12, 14, 16, 18, 20, 24, 26, 28, 30, 32, 36, 40, 48

[c] type of optical fiber

- E – single-mode (ITU-T G.652B)
- A – single-mode with extended wavelength band (ITU-T G.652D, ITU-T G.657A1)
- C – single-mode with non-zero shifted dispersion (ITU-T G.655)
- M – multimode with core and sheath diameter ratio 50 : 125 mm (ITU-T G.651)
- B – multimode with core and sheath diameter ratio 62.5 : 125 mm (IEC 60793-2)

[e] quantity of optical fibers in the module:

- 1 ... 48

Manufacturing of cables in climate version F is possible

Manufacturing of cables with armouring elements (aramid yarns) without armouring, or combination of aramid yarns with corrugated steel tape armouring is possible

Manufacturing of cables with dielectric wire rope (glass fiber rod) is possible

Manufacturing of cables with flame-retardant polymer compound outer sheath is possible

Order placing: sample of indication (corresponds to configuration pattern)

ОЦБГПТ-8A1(1x8)-2 • ТУ У 31.3-00214534-047:2005

Cables are used for:

- *suspensions and operation at supports of aerial contact-lines, urban electric transport and aerial power transmission lines under impact of wind, ice or their combination loads, as well as between buildings and facilities*



ОЦБГПТ * 1 – 2 ТУ У 31.3-00214534-047:2005

Fiber optic overhead tubular-core cables, corrugated steel-tape armoured, with polyethylene outer sheath

TECHNICAL SPECIFICATIONS

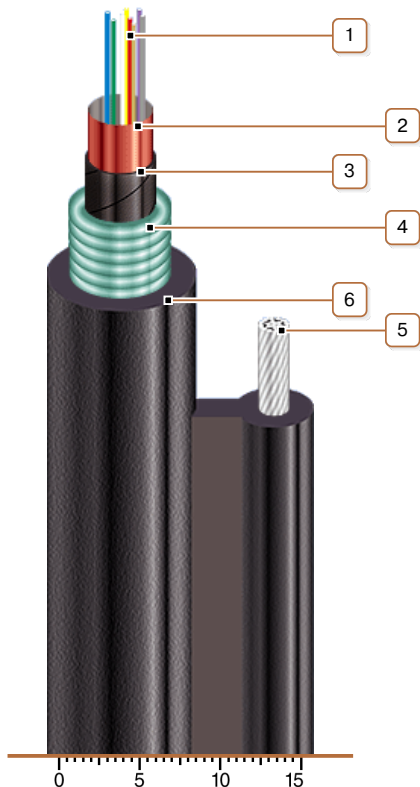
Number of optical fibers in cable	units	2 ... 48
Electrical resistance of sheath insulation, not less than	MOhm · km	2000
Permissible tensile force	kN	2
Permissible crushing force, no less than	N/10 sm	2000
Operating temperature range	°C	-40 ... +60
Operating temperature range (in climate version F)	°C	-60 ... +60
Cable weight (approximate, depending on construction)	kg/km	94 ... 95
Rated outer diameter of the cable (for reference) **	mm	8.1
Cable width with suspension element (for reference only)	mm	15.3
Minimum bending radius during laying	mm	162
Rated factory cable length and gross weight of the delivery on the drums ***	m, t	# 10a: **** 4000 · 0.5

Notes:

When ordering it is necessary to agree the factory length of the product with the manufacturer

** The external diameter may differ from the rated up to $\pm 10\%$

**** Option delivery on not full drum



CONSTRUCTION

1. Optic fibers
2. Tube of fiber optic module
3. Lapping layer of water-blocking tape or thread
4. Armour of corrugated steel tape, polyethylene-laminated
Note: Manufacturing of cables with armouring elements (aramid yarns) without armouring, or combination of aramid yarns with corrugated steel tape armouring is possible
5. Extended strength member (rope)
Note: Manufacturing of cables with dielectric wire rope (glass fiber rod) is possible
6. Polyethylene outer sheath
Note: Manufacturing of cables with flame-retardant polymer compound outer sheath is possible