



СБПАуБпШп 3x2x1 ТУ У 31.3-00214534-008-2001

Signal blocking cables with copper conductors, with polyethylene insulation, in reinforced aluminium sheath, with double-steel-tape armouring, in polyethylene hose

Designed for electrical installations of railway signaling, centralization, blocking and automation at a rated voltage of 380 V AC at frequency 50 Hz or 700 V DC

Cables are used for laying:

- in soil
- for increased protection of circuits against external electrical influences
- in places, where small mechanical impacts on cable are possible, including tensile forces

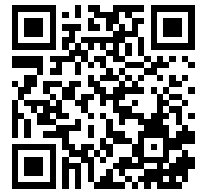
TECHNICAL SPECIFICATIONS

Rated voltage	V	380 / 700
Number of pairs and nominal conductor diameter		3 x 1
Electrical resistance of the conductor at 20 °C	Ohm/km	28.8
Operating capacity, not more than	nF/km	100.0
Attenuation coefficient of pairs at a temperature of 20 °C, not more than	dB/km	0.94
Coupling losses on near-end of cable between any pairs over a length of 300 m, not less than:		
• for 100% of the values	dB	60.0
• for 80% of the values	dB	62.0
Protective action coefficient of aluminium sheath at longitudinal EMF of 30 V/ km, not more than:		0.1
Operating temperature range	°C	-50 ... +60
Minimum bending radius by laying	mm	324
Cable outer diameter (for reference only) **	mm	27
Cable weight (approximate)	kg/km	1003
Rated factory cable length and gross weight of the delivery on the drums	m, t	# 14: 800 • 1.0

Notes:

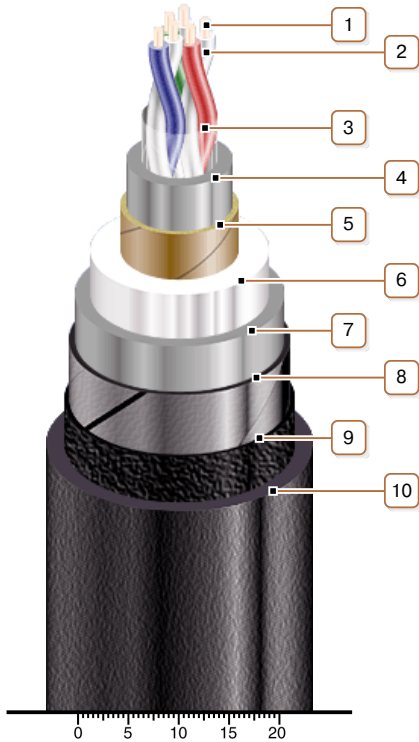
When ordering it is necessary to agree the factory length of the product with the manufacturer

** The external diameter may differ from the rated up to $\pm 10\%$



СБПАуБпШп 3x2x1 ТУ У 31.3-00214534-008-2001

Signal blocking cables with copper conductors, with polyethylene insulation, in reinforced aluminium sheath, with double-steel-tape armouring, in polyethylene hose



CONSTRUCTION

1. Copper conductor
2. Polyethylene insulation
3. PET film winding
4. Polyethylene inner sheath
5. Paper core wrapping
6. Strengthened aluminium sheath
7. Pressed polyethylene bedding
8. Double steel-tape armour
9. Bitumen layer
10. Polyethylene protection hose

Note: Pair twisting in the layer of core on the picture not shown.