



СБЗПАБпШп 3x2x0.9 TY Y 31.3-00214534-008-2001

Signal blocking cables with copper conductors, with polyethylene insulation, with water-blocking core filling, in aluminium sheath, with double-steel-tape armouring, in polyethylene hose

Designed for electrical installations of railway signaling, centralization, blocking and automation at a rated voltage of 380 V AC at frequency 50 Hz or 700 V DC

Cables are used for laying:

- *in soil*
- *in conditions of excessive humidity*
- *at external electrical influences*
- *in places, where small mechanical impacts on cable are possible, including tensile forces*

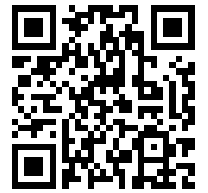
TECHNICAL SPECIFICATIONS

Rated voltage	V	380 / 700
Number of pairs and nominal conductor diameter		3 x 0.9
Electrical resistance of the conductor at 20 °C	Ohm/km	28.8
Operating capacity, not more than	nF/km	100.0
Attenuation coefficient of pairs at a temperature of 20 °C, not more than	dB/km	1.04
Coupling losses on near-end of cable between any pairs over a length of 300 m, not less than:		
• <i>for 100% of the values</i>	dB	60.0
• <i>for 80% of the values</i>	dB	62.0
Protective action coefficient of aluminium sheath at longitudinal EMF of 30 V/ km, not more than:		0.3
Operating temperature range	°C	-50 ... +60
Minimum bending radius by laying	mm	288
Cable outer diameter (for reference only) **	mm	24
Cable weight (approximate)	kg/km	722
Rated factory cable length and gross weight of the delivery on the drums	m, t	# 14: 1090 • 1.0

Notes:

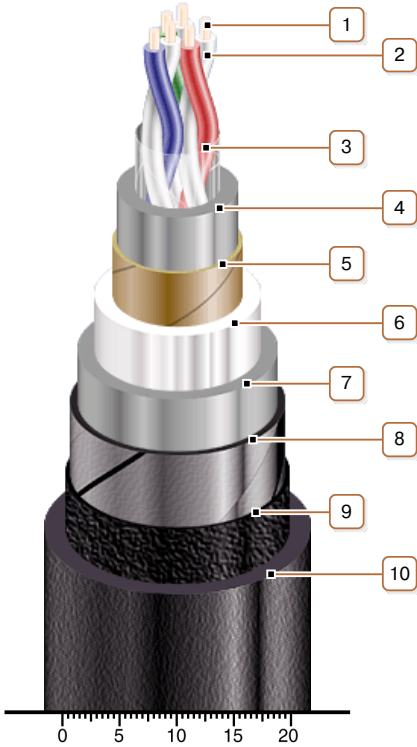
When ordering it is necessary to agree the factory length of the product with the manufacturer

*** The external diameter may differ from the rated up to ± 10 %*



СБЗПАБпШп 3x2x0.9 ТУ У 31.3-00214534-008-2001

Signal blocking cables with copper conductors, with polyethylene insulation, with water-blocking core filling, in aluminium sheath, with double-steel-tape armouring, in polyethylene hose



CONSTRUCTION

1. Copper conductor
2. Polyethylene insulation
3. PET film lapping with water-blocking filling
4. Polyethylene inner sheath
5. Paper core wrapping
6. Aluminium sheath
7. Pressed polyethylene bedding
8. Double steel-tape armour
9. Bitumen layer
10. Polyethylene protection hose

Note: Pair twisting in the layer of core on the picture not shown.