



## СБПАБпШп 3x2x1 ТУ У 31.3-00214534-008-2001

Signal blocking cables with copper conductors, with polyethylene insulation, in aluminium sheath, with double-steel-tape armouring, in polyethylene hose

Designed for electrical installations of railway signaling, centralization, blocking and automation at a rated voltage of 380 V AC at frequency 50 Hz or 700 V DC

Cables are used for laying:

- *in soil*
- *at external electrical influences*
- *in places, where small mechanical impacts on cable are possible, including tensile forces*

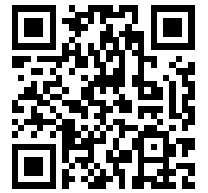
### TECHNICAL SPECIFICATIONS

|   |        |                  |
|---|--------|------------------|
| Rated voltage   | V      | 380 / 700        |
| Number of pairs and nominal conductor diameter  |        | 3 x 1            |
| Electrical resistance of the conductor at 20 °C   | Ohm/km | 28.8             |
| Operating capacity, not more than   | nF/km  | 100.0            |
| Attenuation coefficient of pairs at a temperature of 20 °C, not more than                         | dB/km  | 0.94             |
| Coupling losses on near-end of cable between any pairs over a length of 300 m, not less than:     |        |                  |
| • <i>for 100% of the values</i>   | dB     | 60.0             |
| • <i>for 80% of the values</i>  | dB     | 62.0             |
| Protective action coefficient of aluminium sheath at longitudinal EMF of 30 V/ km, not more than: |        | 0.3              |
| Operating temperature range   | °C     | -50 ... +60      |
| Minimum bending radius by laying  | mm     | 288              |
| Cable outer diameter (for reference only) **  | mm     | 24               |
| Cable weight (approximate)  | kg/km  | 716              |
| Rated factory cable length and gross weight of the delivery on the drums                          | m, t   | # 14: 1090 • 1.0 |

Notes:

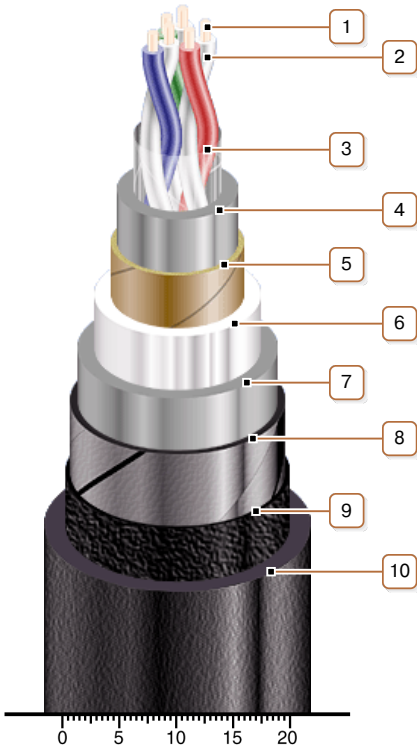
When ordering it is necessary to agree the factory length of the product with the manufacturer

\*\* The external diameter may differ from the rated up to  $\pm 10\%$



## СБПАБпШп 3x2x1 ТУ У 31.3-00214534-008-2001

Signal blocking cables with copper conductors, with polyethylene insulation, in aluminium sheath, with double-steel-tape armouring, in polyethylene hose



### CONSTRUCTION

1. Copper conductor
2. Polyethylene insulation
3. PET film winding
4. Polyethylene inner sheath
5. Paper core wrapping
6. Aluminium sheath
7. Pressed polyethylene bedding
8. Double steel-tape armour
9. Bitumen layer
10. Polyethylene protection hose

Note: Pair twisting in the layer of core on the picture not shown.