

## ПвКВнг 3x50-1 ТУ У 31.3-00214534-016-2003

Power cables with copper conductors, XLPE-insulated, galvanized steel-wire armoured, with low-flammable PVC-compound outer sheath

Cables are used for laying:

- *in bunches*
- *in premises, dry ducts and tunnels, in corrosive environment*
- *in places, where intense tensile forces are possible (in cable lifting, in bulk, heaving, boggy, everfrost soils)*

Manufacturing of cables with a different number and different design of conductors is possible  
 Manufacturing of single-phase cables with aluminium-wire armour is possible

Fire safety code in accordance with ДСТУ 4809:2007: ПБ130000000

Products of this mark meet the requirements:

- *single wire cable flame retardance*
- *bunched cable flame retardance category B*

### TECHNICAL SPECIFICATIONS

|  |                 |   |
|--|-----------------|---|
| Rated voltage  | kV              | 1   |
| Number and rated area of conductors                                      | mm <sup>2</sup> | 3 x 50  |
| Phase insulation thickness   | mm              | 1   |
| Armor wire diameter  | mm              | 1.8   |
| Permissible continuous current rating (AC of industrial frequency) *     |                 |   |
| • <i>by aerial laying</i>  | A               | 209   |
| • <i>by burial</i>   | A               | 205   |
| Maximum permissible conductor temperature                                |                 |   |
| • <i>Continuous</i>  | °C              | +90   |
| • <i>at short circuit</i>  | °C              | +250  |
| Operating temperature range  | °C              | -50 ... +50   |
| Minimum bending radius by laying   | mm              | 192   |
| Rated outer diameter of the cable (for reference) **                     | mm              | 32  |
| Cable weight (approximate)   | kg/km           | 2680  |
| Rated factory cable length and gross weight of the delivery on the drums | m, t            | # 14: 610 • 1.8<br># 16a: 990 • 2.9<br># 18: 1130 • 3.5 |

Notes:

*When ordering it is necessary to agree the factory length of the product with the manufacturer*

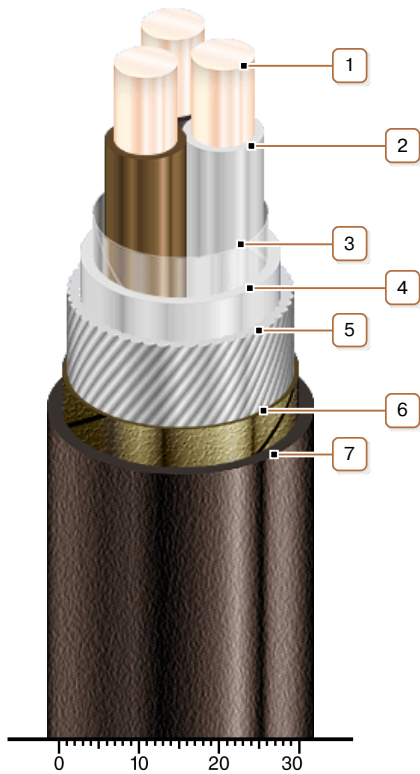
*\* Long permissible current loads are calculated for the following conditions: air temperature plus 25 °C, soil temperature plus 15 °C, thermal resistivity of soil 1.2 °K·m/W, laying depth in the soil 0.7 m*

*\*\* The external diameter may differ from the rated up to ± 10 %*



## ПвКВнг 3х50-1 ТУ У 31.3-00214534-016-2003

Power cables with copper conductors, XLPE-insulated, galvanized steel-wire armoured, with low-flammable PVC-compound outer sheath



### CONSTRUCTION

1. Copper conductor
2. XLPE insulation
3. PET film winding
4. PVC compound belt insulation
5. Round galvanized steel-wire armour  
*Note: Manufacturing of single-phase cables with aluminium-wire armour is possible*
6. Lapping layer of nonwoven cloth tape
7. Low flammable PVC compound outer sheath

*Note: Conductor twisting is not illustrated*