



ПВБШВ 4x1.5-1 ГОСТ 16442-80, ТУ У 31.3-00214534-048:2007

Power cables with copper conductors, XLPE-insulated, galvanized steel-tape armoured, with PVC-compound protection hose

Cables are used for laying:

- *single laying*
- *in premises, dry ducts and tunnels, in corrosive environment*
- *in places, where small mechanical impacts on cable are possible, including tensile forces*

Manufacturing of non-galvanized armoured cable, covered with a layer of bitumen and PET film is possible

Fire safety code in accordance with ДСТУ 4809:2007: ПБ100000000

Products of this mark meet the requirements:

- *single wire cable flame retardance*

TECHNICAL SPECIFICATIONS

| | | |
|--|-----------------|------------------|
| Rated voltage | kV | 1 |
| Number and rated area of conductors | mm ² | 4 x 1.5 |
| Phase insulation thickness | mm | 0.7 |
| Permissible continuous current rating (AC of industrial frequency) * | | |
| • <i>by aerial laying</i> | A | 23 |
| • <i>by burial</i> | A | 28 |
| Maximum permissible conductor temperature | | |
| • <i>Continuous</i> | °C | +90 |
| • <i>in emergency operation</i> | °C | +130 |
| • <i>at short circuit</i> | °C | +250 |
| Operating temperature range | °C | -50 ... +50 |
| Minimum bending radius by laying | mm | 127.5 |
| Rated outer diameter of the cable (for reference) ** | mm | 17 |
| Cable weight (approximate) | kg/km | 380 |
| Rated factory cable length and gross weight of the delivery on the drums | m, t | # 12: 1130 • 0.5 |

Notes:

When ordering it is necessary to agree the factory length of the product with the manufacturer

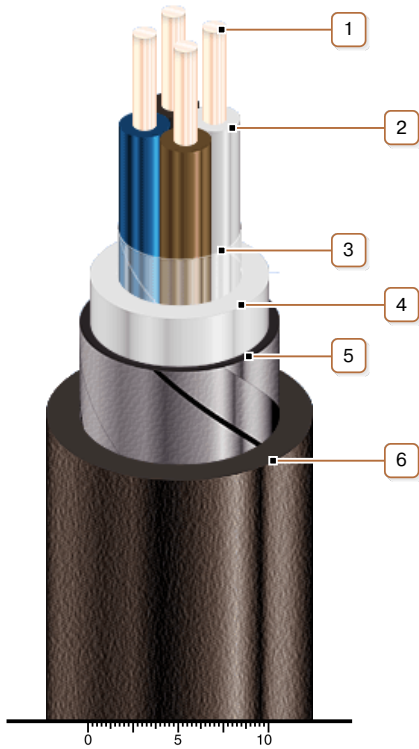
** Long permissible current loads are calculated during operation in four-wire networks with load in all the conductors for the following conditions: air temperature plus 25 °C, soil temperature plus 15 °C, thermal resistivity of soil 1.2 °K·m/W, laying depth in the soil 0.7 m*

*** The external diameter may differ from the rated up to ± 10 %*



ПВБШВ 4x1.5-1
ГОСТ 16442-80,ТУ У 31.3-00214534-048:2007

Power cables with copper conductors, XLPE-insulated, galvanized steel-tape armoured, with PVC-compound protection hose



CONSTRUCTION

1. Copper conductor
2. XLPE insulation
3. PET film winding
4. PVC compound belt insulation
5. Double galvanized steel-tape armour
6. Pressed PVC compound protection hose

Note: Conductor twisting is not illustrated