

## АВВГзнг 3х120 (ож)-1 ТУ У 31.3-00214534-018-2003

Power cables with aluminium conductors, with PVC-compound insulation, with low-flammable PVC-compound outer sheath

Cables are used for laying:

- *in bunches*
- *in premises, dry ducts and tunnels, in corrosive environment*

Manufacturing of cable with multiwire conductors is possible

Fire safety code in accordance with ДСТУ 4809:2007: ПБ120000000

Products of this mark meet the requirements:

- *single wire cable flame retardance*
- *bunched cable flame retardance category A*

### TECHNICAL SPECIFICATIONS

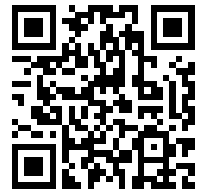
|  |                 |                                     |
|--|-----------------|-------------------------------------|
| Rated voltage  | kV              | 1                                   |
| Number and rated area of conductors                                      | mm <sup>2</sup> | 3 x 120                             |
| Phase insulation thickness   | mm              | 1.6                                 |
| Permissible continuous current rating (AC of industrial frequency) *     |                 |                                     |
| • <i>by aerial laying</i>  | A               | 229                                 |
| • <i>by burial</i>   | A               | 244                                 |
| Maximum permissible conductor temperature                                |                 |                                     |
| • <i>Continuous</i>  | °C              | +70                                 |
| • <i>in emergency operation</i>  | °C              | +90                                 |
| • <i>at short circuit</i>  | °C              | +160                                |
| Operating temperature range  | °C              | -50 ... +50                         |
| Minimum bending radius by laying   | mm              | 270                                 |
| Rated outer diameter of the cable (for reference) **                     | mm              | 36                                  |
| Cable weight (approximate)   | kg/km           | 1860                                |
| Rated factory cable length and gross weight of the delivery on the drums | m, t            | # 16a: 780 • 1.7<br># 18: 890 • 2.1 |

Notes:

*When ordering it is necessary to agree the factory length of the product with the manufacturer*

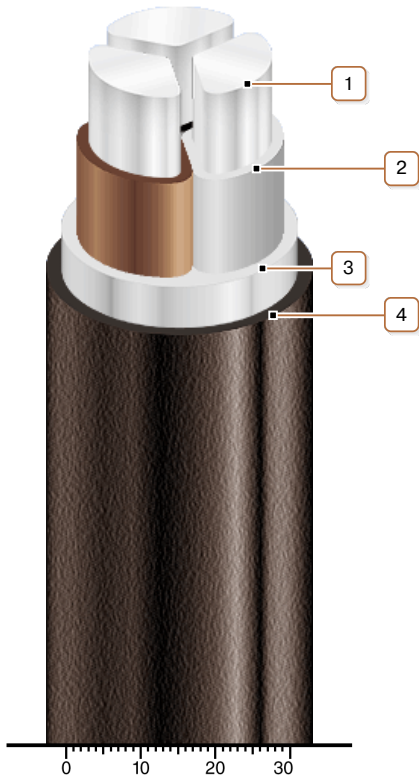
\* Long permissible current loads are calculated for the following conditions: air temperature plus 25 °C, soil temperature plus 15 °C, thermal resistivity of soil 1.2 °K·m/W, laying depth in the soil 0.7 m

\*\* The external diameter may differ from the rated up to ± 10 %



## АВВГзнг 3х120 (ож)-1 ТУ У 31.3-00214534-018-2003

Power cables with aluminium conductors, with PVC-compound insulation, with low-flammable PVC-compound outer sheath



### CONSTRUCTION

1. Aluminium conductor
2. PVC compound insulation
3. PVC compound belt insulation
4. Low flammable PVC compound outer sheath

Note: Conductor twisting is not illustrated