



## ВБШнг 5х50-1 ТУ У 31.3-00214534-018-2003

Power cables with copper conductors, with PVC-compound insulation, galvanized steel-tape armoured, with low-flammable PVC-compound protection hose

Cables are used for laying:

- *in bunches*
- *in premises, dry ducts and tunnels, in corrosive environment*
- *in places, where small mechanical impacts on cable are possible, including tensile forces*

Manufacturing of cable with multiwire conductors is possible

Manufacturing of cable with tape belt insulation is possible

Fire safety code in accordance with ДСТУ 4809:2007: ПБ120000000

Products of this mark meet the requirements:

- *single wire cable flame retardance*
- *bunched cable flame retardance category A*

### TECHNICAL SPECIFICATIONS

|  |                 |                                     |
|--|-----------------|-------------------------------------|
| Rated voltage  | kV              | 1                                   |
| Number and rated area of conductors                                      | mm <sup>2</sup> | 5 x 50                              |
| Phase insulation thickness   | mm              | 1.4                                 |
| Permissible continuous current rating (AC of industrial frequency) *     |                 |                                     |
| • <i>by aerial laying</i>  | A               | 155                                 |
| • <i>by burial</i>   | A               | 173                                 |
| Maximum permissible conductor temperature                                |                 |                                     |
| • <i>Continuous</i>  | °C              | +70                                 |
| • <i>in emergency operation</i>  | °C              | +90                                 |
| • <i>at short circuit</i>  | °C              | +160                                |
| Operating temperature range  | °C              | -50 ... +50                         |
| Minimum bending radius by laying   | mm              | 277.5                               |
| Rated outer diameter of the cable (for reference) **                     | mm              | 37                                  |
| Cable weight (approximate)   | kg/km           | 3260                                |
| Rated factory cable length and gross weight of the delivery on the drums | m, t            | # 16a: 700 • 2.5<br># 18: 800 • 3.1 |

Notes:

When ordering it is necessary to agree the factory length of the product with the manufacturer

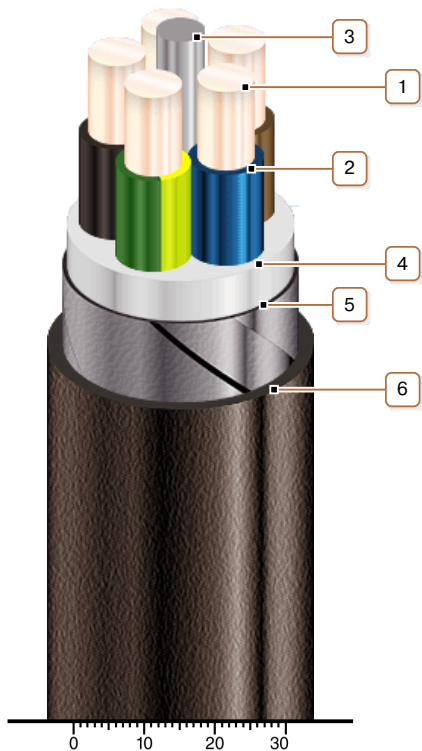
\* Long permissible current loads are calculated for the following conditions: air temperature plus 25 °C, soil temperature plus 15 °C, thermal resistivity of soil 1.2 °K·m/W, laying depth in the soil 0.7 m

\*\* The external diameter may differ from the rated up to ± 10 %



## **ВБШнг 5x50-1** **ТУ У 31.3-00214534-018-2003**

Power cables with copper conductors, with PVC-compound insulation, galvanized steel-tape armoured, with low-flammable PVC-compound protection hose



### **CONSTRUCTION**

1. Copper conductor
2. PVC compound insulation
3. PVC compound bundle
4. PVC compound belt insulation
5. Double galvanized steel-tape armour
6. Pressed off low-flammable PVC compound protection hose

Note: Conductor twisting is not illustrated