



## СБГ 4x50-1 TY Y 27.3-00214534-091:2017

Power cables with copper conductors, with impregnated paper insulation, lead-sheathed, steel-tape armoured

Cables are used for laying:

- in dry premises (tunnels), ducts, cable cellars, mines, collectors, industrial and other premises, including damp, partially flooded premises, environment with medium and high corrosiveness
- in fire-risk premises
- on technological trestles
- on special cable bridges
- with a risk of mechanical damage and no tensile forces in operation

Fire safety code in accordance with ДСТУ 4809:2007: ПБ100000000

Products of this mark meet the requirements:

- single wire cable flame retardance

### TECHNICAL SPECIFICATIONS

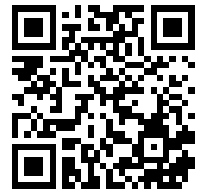
|  |                 |                 |
|--|-----------------|-----------------|
| Rated voltage  | kV              | 1               |
| Number and rated area of conductors                                      | mm <sup>2</sup> | 4 x 50          |
| Insulation thickness between conductors                                  | mm              | 1.5             |
| Insulation thickness of conductor-sheath                                 | mm              | 1.25            |
| Sheath thickness   | mm              | 1.21            |
| Permissible continuous current rating *                                  |                 |                 |
| • by aerial laying   | A               | 181             |
| • by burial  | A               | 186             |
| Operating temperature range  | °C              | -50 ... +50     |
| Minimum bending radius by laying   | mm              | 480             |
| Level difference along the laying route, not more than                   | m               | 20              |
| Metal sheath outer diameter (for reference only)                         | mm              | 25              |
| Rated outer diameter of the cable (for reference) **                     | mm              | 32              |
| Cable weight (approximate)   | kg/km           | 3960            |
| Rated factory cable length and gross weight of the delivery on the drums | m, t            | # 16: 370 • 1.7 |

Notes:

When ordering it is necessary to agree the factory length of the product with the manufacturer

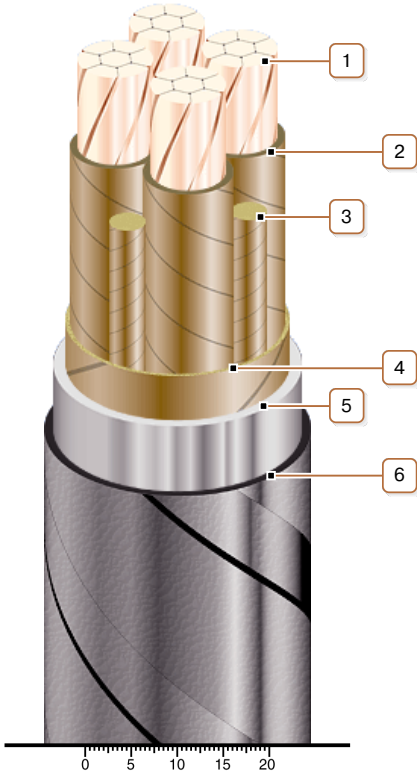
\* Long permissible current loads are calculated during operation in four-wire networks with load in all the conductors for the following conditions: air temperature plus 25 °C, soil temperature plus 15 °C, thermal resistivity of soil 1.2 °K·m/W, laying depth in the soil 0.7 m

\*\* The external diameter may differ from the rated up to ± 10 %



**СБГ 4x50-1**  
**ТУ У 27.3-00214534-091:2017**

Power cables with copper conductors, with impregnated paper insulation, lead-sheathed, steel-tape armoured



**CONSTRUCTION**

1. *Copper multiwire compact conductor*
2. *Impregnated paper insulation*
3. *Cable paper bundle*
4. *Belt insulation*
5. *Lead sheath*
6. *Double galvanized steel-tape armour*

*Note: Conductor twisting is not illustrated*